



## **Framework 7.6**

# Network T-Server for GenSpec

## Deployment Guide

**The information contained herein is proprietary and confidential and cannot be disclosed or duplicated without the prior written consent of Genesys Telecommunications Laboratories, Inc.**

Copyright © 2004–2008 Genesys Telecommunications Laboratories, Inc. All rights reserved.

## **About Genesys**

Genesys Telecommunications Laboratories, Inc., a subsidiary of Alcatel-Lucent, is 100% focused on software for call centers. Genesys recognizes that better interactions drive better business and build company reputations. Customer service solutions from Genesys deliver on this promise for Global 2000 enterprises, government organizations, and telecommunications service providers across 80 countries, directing more than 100 million customer interactions every day. Sophisticated routing and reporting across voice, e-mail, and Web channels ensure that customers are quickly connected to the best available resource—the first time. Genesys offers solutions for customer service, help desks, order desks, collections, outbound telesales and service, and workforce management. Visit [www.genesyslab.com](http://www.genesyslab.com) for more information.

Each product has its own documentation for online viewing at the Genesys Technical Support website or on the Documentation Library DVD, which is available from Genesys upon request. For more information, contact your sales representative.

## **Notice**

Although reasonable effort is made to ensure that the information in this document is complete and accurate at the time of release, Genesys Telecommunications Laboratories, Inc., cannot assume responsibility for any existing errors. Changes and/or corrections to the information contained in this document may be incorporated in future versions.

## **Your Responsibility for Your System's Security**

You are responsible for the security of your system. Product administration to prevent unauthorized use is your responsibility. Your system administrator should read all documents provided with this product to fully understand the features available that reduce your risk of incurring charges for unlicensed use of Genesys products.

## **Trademarks**

Genesys, the Genesys logo, and T-Server are registered trademarks of Genesys Telecommunications Laboratories, Inc. All other trademarks and trade names referred to in this document are the property of other companies. The Crystal monospace font is used by permission of Software Renovation Corporation, [www. SoftwareRenovat i on. com](http://www.SoftwareRenovation.com).

## **Technical Support from VARs**

If you have purchased support from a value-added reseller (VAR), please contact the VAR for technical support.

## **Technical Support from Genesys**

If you have purchased support directly from Genesys, please contact Genesys Technical Support at the following regional numbers:

<b>Region</b>	<b>Telephone</b>	<b>E-Mail</b>
North and Latin America	+888-369-5555 or +506-674-6767	<a href="mailto:support@genesyslab.com">support@genesyslab.com</a>
Europe, Middle East, and Africa	+44-(0)-118-974-7002	<a href="mailto:support@genesyslab.co.uk">support@genesyslab.co.uk</a>
Asia Pacific	+61-7-3368-6868	<a href="mailto:support@genesyslab.com.au">support@genesyslab.com.au</a>
Japan	+81-3-6361-8950	<a href="mailto:support@genesyslab.co.jp">support@genesyslab.co.jp</a>

**Prior to contacting technical support, please refer to the [Genesys Technical Support Guide](#) for complete contact information and procedures.**

## **Ordering and Licensing Information**

Complete information on ordering and licensing Genesys products can be found in the [Genesys 7 Licensing Guide](#).

## **Released by**

Genesys Telecommunications Laboratories, Inc. [www.genesyslab.com](http://www.genesyslab.com)

**Document Version:** 76fr\_dep-ts\_GenSpec\_01-2008\_v7.6.001.00



# Table of Contents

	<b>List of Procedures .....</b>	<b>7</b>
Preface .....		<b>9</b>
	Intended Audience.....	10
	Reading Prerequisites .....	10
	Chapter Summaries.....	11
	Document Conventions .....	12
	Related Resources .....	14
	Making Comments on This Document .....	15
<b>Part 1</b>	<b>Part One: Common Functions and Procedures .....</b>	<b>17</b>
	New for All T-Servers in 7.6.....	18
Chapter 1	<b>T-Server Fundamentals.....</b>	<b>19</b>
	Learning About T-Server .....	20
	Framework and Media Layer Architecture.....	20
	T-Server Requests and Events .....	22
	Advanced Disconnect Detection Protocol .....	26
	Redundant T-Servers .....	27
	Multi-Site Support .....	30
	Agent Reservation .....	30
	Client Connections .....	31
	Next Steps .....	31
Chapter 2	<b>T-Server General Deployment.....</b>	<b>33</b>
	Prerequisites.....	33
	Software Requirements .....	34
	Hardware and Network Environment Requirements .....	35
	Licensing Requirements .....	35
	About Configuration Options.....	37
	Deployment Sequence .....	38
	Wizard Deployment of T-Server .....	38
	Wizard Configuration of T-Server .....	39

	Wizard Installation of T-Server.....	39
	Manual Deployment of T-Server.....	41
	Manual Configuration of Telephony Objects.....	42
	Manual Configuration of T-Server.....	44
	Manual Installation of T-Server.....	46
	Next Steps.....	48
Chapter 3	<b>Multi-Site Support.....</b>	<b>49</b>
	Multi-Site Fundamentals.....	50
	ISCC Call Data Transfer Service.....	51
	ISCC Transaction Types.....	56
	T-Server Transaction Type Support.....	64
	Transfer Connect Service Feature.....	68
	ISCC/COF Feature.....	69
	Number Translation Feature.....	73
	Number Translation Rules.....	74
	Network Attended Transfer/Conference Feature.....	81
	Event Propagation Feature.....	83
	User Data Propagation.....	83
	Party Events Propagation.....	85
	Basic and Advanced Configuration.....	85
	ISCC Transaction Monitoring Feature.....	88
	Configuring Multi-Site Support.....	89
	Applications.....	89
	Switches and Access Codes.....	90
	DNs.....	96
	Configuration Examples.....	100
	Next Steps.....	102
Chapter 4	<b>Start and Stop T-Server Components.....</b>	<b>103</b>
	Command-Line Parameters.....	103
	Starting and Stopping with the Management Layer.....	105
	Starting with Startup Files.....	106
	Starting Manually.....	107
	HA Proxy.....	110
	T-Server.....	111
	Verifying Successful Startup.....	112
	Stopping Manually.....	113
	Starting and Stopping with Windows Services Manager.....	114
	Next Steps.....	114

Part 2	<b>Part Two: Reference Information.....</b>	<b>115</b>
Chapter 5	<b>GenSpec–Specific Configuration.....</b>	<b>117</b>
	Manual Configuration of Telephony Objects.....	117
	Switching Office .....	117
	Service Numbers .....	117
Chapter 6	<b>Supported Functionality in Network T-Server for GenSpec.....</b>	<b>119</b>
	T-Library Functionality .....	119
	Load Balancing.....	127
	Flow Control Configuration.....	128
	Asynchronous Network Messaging .....	129
	Error Messages .....	130
	TSCP Error Messages.....	130
	Connection-Status Error Messages .....	132
	Voice-Processing Failure Messages.....	132
	Network Attended Transfer/Conference Error Messages .....	132
	GenSpec Supported Treatment Types .....	133
Chapter 7	<b>Common Configuration Options.....</b>	<b>137</b>
	Setting Configuration Options.....	137
	Mandatory Options .....	138
	Log Section.....	138
	Log Output Options.....	144
	Examples .....	148
	Debug Log Options.....	149
	Log-Extended Section .....	152
	Log-Filter Section .....	154
	Log-Filter-Data Section.....	155
	Common Section .....	155
	Changes from 7.5 to 7.6.....	156
Chapter 8	<b>T-Server Common Configuration Options .....</b>	<b>159</b>
	Setting Configuration Options.....	159
	Mandatory Options .....	160
	T-Server Section.....	160
	License Section .....	165
	Agent-Reservation Section.....	167
	Multi-Site Support Section .....	168
	ISCC Transaction Options .....	170

	Transfer Connect Service Options.....	174
	ISCC/COF Options .....	175
	Event Propagation Option.....	177
	Number Translation Option.....	177
	Translation Rules Section.....	177
	Backup-Synchronization Section.....	178
	Call-Cleanup Section.....	179
	Security Section.....	181
	Timeout Value Format .....	181
	Changes from Release 7.5 to 7.6.....	182
Chapter 9	<b>Configuration Options in Network T-Server for GenSpec .....</b>	<b>183</b>
	Mandatory Options .....	183
	T-Server Section.....	186
	AsnSap Section .....	186
	pgf Section.....	188
	Timers Section.....	189
	GenSpec Section.....	192
	gli Section .....	194
	gli_server Section .....	195
	gli_server_group_<n> Section.....	196
	Changes from 7.5 to 7.6.....	198
Index	.....	<b>199</b>



# List of Procedures

Installing T-Server on UNIX using Wizard .....	40
Installing T-Server on Windows using Wizard .....	41
Configuring T-Server manually .....	44
Configuring multiple ports .....	45
Installing T-Server on UNIX manually .....	46
Installing T-Server on Windows manually .....	47
Verifying the manual installation of T-Server .....	48
Activating Transfer Connect Service .....	68
Configuring Number Translation .....	80
Activating Event Propagation: basic configuration .....	86
Modifying Event Propagation: advanced configuration .....	87
Configuring T-Server Applications .....	89
Configuring Default Access Codes .....	91
Configuring Access Codes .....	92
Configuring access resources for the route transaction type .....	96
Configuring access resources for the dnis-pool transaction type .....	97
Configuring access resources for direct-* transaction types .....	98
Configuring access resources for ISCC/COF .....	98
Configuring access resources for non-unique ANI .....	99
Modifying DNs for isolated switch partitioning .....	99
Configuring T-Server to start with the Management Layer .....	105
Starting T-Server on UNIX with a startup file .....	106
Starting T-Server on Windows with a startup file .....	107
Starting HA Proxy on UNIX manually .....	110
Starting HA Proxy on Windows manually .....	111
Starting T-Server on UNIX manually .....	112
Starting T-Server on Windows manually .....	112
Stopping T-Server on UNIX manually .....	113
Stopping T-Server on Windows manually .....	113







## Preface

Welcome to the *Framework 7.6 Network T-Server for GenSpec Deployment Guide*. This document introduces you to the concepts, terminology, and procedures relevant to T-Servers® in general and provides detailed reference information about Network T-Server for GenSpec. The reference information includes, but is not limited to, configuration options, limitations, and switch-specific functionality. You must configure the configuration objects and options described in this document in the Framework Configuration Layer.

Use this document only after you have read through the *Framework 7.6 Deployment Guide*, and the Release Note for your T-Server.

This document is valid only for the 7.6 release of this product.

---

Note: For releases of this document created for other releases of this product, please visit the Genesys Technical Support website, or request the Documentation Library CD, which you can order by e-mail from Genesys Order Management at [orderman@genesyslab.com](mailto:orderman@genesyslab.com).

---

This preface provides an overview of this document, identifies the primary audience, introduces document conventions, and lists related reference information:

- [Intended Audience, page 10](#)
- [Chapter Summaries, page 11](#)
- [Document Conventions, page 12](#)
- [Related Resources, page 14](#)
- [Making Comments on This Document, page 15](#)

T-Server is the Genesys software component that provides an interface between your telephony hardware and the rest of the Genesys software components in your enterprise. It translates and keeps track of events and requests that come from, and are sent to, the CTI (computer-telephony integration) link in the telephony device. T-Server is a TCP/IP-based server that can also act as a messaging interface between T-Server clients. It is the critical point in allowing your Genesys solution to facilitate and track the contacts that flow through your enterprise.

Note that the T-Server name has changed over the course of previous releases for various reasons (including, but not limited to, changes in vendor name or in Genesys policy). The former names include:

- T-Server for NbCC.
- The current name is Network T-Server for GenSpec.

---

## Intended Audience

This guide is intended primarily for system administrators, both those who are new to T-Server and those who are familiar with it.

- If you are new to T-Server, read the *Framework 7.6 Deployment Guide* and the Release Note mentioned earlier, and then read all of the sections of this document that apply to your software and its accompanying components. Refer back to the *Framework 7.6 Deployment Guide* as needed.
- If you are an experienced T-Server user—someone with computer expertise, who is used to installing, configuring, testing, or maintaining Genesys software—you may find it more time efficient to go to the Index to see what is new or different in T-Server release 7.5. If you take that approach, please also read the Release Notes and refer to other related resources, such as the *Genesys 7 Events and Models Reference Manual* and the *Voice Platform SDK 7.6 .NET (or Java) API Reference* for complete information on T-Server events, call models, and requests.

In general, this document assumes that you have a basic understanding of, and familiarity with:

- Computer-telephony integration concepts, processes, terminology, and applications.
- Network design and operation.
- Your own network configurations.
- Your telephony hardware and software.
- Genesys Framework architecture and functions.
- Configuration Manager interface and object-managing operations.

Based on your specific contact center environment and your responsibilities in it, you may need to be familiar with a much wider range of issues as you deploy T-Server.

## Reading Prerequisites

You must read the *Framework 7.6 Deployment Guide* before using this *Network T-Server Deployment Guide*. That book contains information about the Genesys software you must deploy before deploying T-Server.

---

# Chapter Summaries

This *Network T-Server Deployment Guide* encompasses all information, including conceptual, procedural, and reference information, about Genesys T-Servers in general, and Network T-Server for GenSpec in particular. Depending on the subject addressed in a particular section, the document style may move from narration, to instructions, to technical reference.

To distinguish between general T-Server sections and those chapters intended for your particular T-Server, this document is divided into two main parts

## Part One—Common Functions and Procedures

Part One of this Network T-Server document, “Common Functions and Procedures,” consists of Chapters 1 through 4. These chapters contain architectural, functional, and procedural information common to all T-Servers:

- Chapter 1, “T-Server Fundamentals,” on [page 19](#), describes T-Server, its place in the Framework 7 architecture, T-Server redundancy, and multi-site issues. It does not, however, provide configuration and installation information.
- Chapter 2, “T-Server General Deployment,” on [page 33](#), presents Configuration and Installation procedures for all T-Servers.
- Chapter 3, “Multi-Site Support,” on [page 49](#), describes the variations available for T-Server implementations across geographical locations.
- Chapter 4, “Start and Stop T-Server Components,” on [page 103](#), describes how, and in what order, to start up T-Server among other Framework components. It also provides possible stopping commands.

Although you certainly would refer to these chapters if you have never before configured or installed T-Server, you might also use them, even if you are already familiar with T-Server, to discover any changes to functionality, configuration, and installation since you last deployed this component.

Genesys recommends that you use wizards to deploy T-Server. If you do, first read Chapter 1 to familiarize yourself with T-Server, and then proceed with the deployment process using Framework wizards.

## Part Two—Reference Information

Part Two of this Network T-Server document, Reference Information consists of Chapters 5 through 9. These chapters contain reference information specific to Network T-Server for GenSpec. However, they also contain information on all T-Server options, both those specific to your T-Server and those common to all T-Servers.

- Chapter 5, “GenSpec–Specific Configuration,” on [page 117](#), describes compatibility and configuration information specific to this T-Server, including instructions for setting the DN properties and recommendations for configuring the switch.
- Chapter 6, “Supported Functionality in Network T-Server for GenSpec,” on [page 119](#), describes the features that are supported by this T-Server, including T-Library functionality, and error messages.
- Chapter 7, “Common Configuration Options,” on [page 137](#), describes log configuration options common to all Genesys server applications.
- Chapter 8, “T-Server Common Configuration Options,” on [page 159](#), describes configuration options common to all T-Server types including options for multi-site configuration.
- Chapter 9, “Configuration Options in Network T-Server for GenSpec,” on [page 183](#), describes configuration options specific to this T-Server including the link-related options—those that address the interface between T-Server and the switch.

---

## Document Conventions

This document uses certain stylistic and typographical conventions—introduced here—that serve as shorthands for particular kinds of information.

### Document Version Number

A version number appears at the bottom of the inside front cover of this document. Version numbers change as new information is added to this document. Here is a sample version number:

76fr\_ref\_01-2008\_v7.6.000.00

You will need this number when you are talking with Genesys Technical Support about this product.

### Type Styles

#### Italic

In this document, italic is used for emphasis, for documents’ titles, for definitions of (or first references to) unfamiliar terms, and for mathematical variables.

- Examples:**
- Please consult the *Genesys 7 Migration Guide* for more information.
  - *A customary and usual practice* is one that is widely accepted and used within a particular industry or profession.
  - Do *not* use this value for this option.

- The formula,  $x + 1 = 7$  where  $x$  stands for . . .

### Monospace Font

A monospace font, which looks like teletype or typewriter text, is used for all programming identifiers and GUI elements.

This convention includes the *names* of directories, files, folders, configuration objects, paths, scripts, dialog boxes, options, fields, text and list boxes, operational modes, all buttons (including radio buttons), check boxes, commands, tabs, CTI events, and error messages; the values of options; logical arguments and command syntax; and code samples.

- Examples:**
- Select the Show variables on screen check box.
  - Click the Summation button.
  - In the Properties dialog box, enter the value for the host server in your environment.
  - In the Operand text box, enter your formula.
  - Click OK to exit the Properties dialog box.
  - The following table presents the complete set of error messages T-Server distributes in EventError events.
  - If you select true for the inbound-bsns-calls option, all established inbound calls on a local agent are considered business calls.

Monospace is also used for any text that users must manually enter during a configuration or installation procedure, or on a command line:

- Example:**
- Enter exit on the command line.

### Screen Captures Used in This Document

Screen captures from the product GUI (graphical user interface), as used in this document, may sometimes contain a minor spelling, capitalization, or grammatical error. The text accompanying and explaining the screen captures corrects such errors *except* when such a correction would prevent you from installing, configuring, or successfully using the product. For example, if the name of an option contains a usage error, the name would be presented exactly as it appears in the product GUI; the error would not be corrected in any accompanying text.

### Square Brackets

Square brackets indicate that a particular parameter or value is optional within a logical argument, a command, or some programming syntax. That is, the parameter's or value's presence is not required to resolve the argument, command, or block of code. The user decides whether to include this optional information. Here is a sample:

```
smcp_server -host [/flags]
```

## Angle Brackets

Angle brackets indicate a placeholder for a value that the user must specify. This might be a DN or port number specific to your enterprise. Here is a sample:

```
smcp_server -host <confighost>
```

---

## Related Resources

Consult these additional resources as necessary:

- The *Framework 7.6 Deployment Guide*, which will help you configure, install, start, and stop Framework components.
- The *Framework 7.6 Configuration Options Reference Manual*, which will provide you with descriptions of configuration options for other Framework components.
- The *Framework 7.6 Configuration Manager Help*, which will help you use Configuration Manager.
- The *Genesys 7 Migration Guide*, also on the Genesys Documentation Library CD, which contains a documented migration strategy from Genesys product releases 5.x and later to all Genesys 7.x releases. Contact Genesys Technical Support for additional information.
- The *Genesys 7 Events and Models Reference Manual*, which contains an extensive collection of events and call models describing core interaction processing in Genesys environments.
- The *Voice Platform SDK 7.6 .NET (or Java) API Reference*, which contains technical details of T-Library functions.
- The *Genesys Technical Publications Glossary*, which ships on the Genesys Documentation Library CD and which provides a comprehensive list of the Genesys and CTI terminology and acronyms used in this document.
- The Release Notes and Product Advisories for this product, which are available on the Genesys Technical Support website at <http://genesyslab.com/support>.

Information on supported hardware and third-party software is available on the Genesys Technical Support website in the following documents:

- [Genesys 7 Supported Operating Systems and Databases](#)
- [Genesys 7 Supported Media Interfaces](#)

Genesys product documentation is available on the:

- Genesys Technical Support website at <http://genesyslab.com/support>.

- Genesys Documentation Library CD, which you can order by e-mail from Genesys Order Management at [orderman@genesyslab.com](mailto:orderman@genesyslab.com).

---

## Making Comments on This Document

If you especially like or dislike anything about this document, please feel free to e-mail your comments to [Techpubs.webadmin@genesyslab.com](mailto:Techpubs.webadmin@genesyslab.com).

You can comment on what you regard as specific errors or omissions, and on the accuracy, organization, subject matter, or completeness of this document. Please limit your comments to the information in this document only and to the way in which the information is presented. Speak to Genesys Technical Support if you have suggestions about the product itself.

When you send us comments, you grant Genesys a nonexclusive right to use or distribute your comments in any way it believes appropriate, without incurring any obligation to you.







Part

# 1

## Part One: Common Functions and Procedures

Part One of this *T-Server Deployment Guide* familiarizes the reader with T-Server in general. It addresses architectural, functional, and procedural information common to all T-Servers.

The information in Part One is divided into the following chapters:

- Chapter 1, “T-Server Fundamentals,” on [page 19](#), describes T-Server, its place in the Framework 7 architecture, T-Server redundancy, and multi-site issues. It stops short of providing configuration and installation information.
- Chapter 2, “T-Server General Deployment,” on [page 33](#), presents configuration and installation procedures for all T-Servers.
- Chapter 3, “Multi-Site Support,” on [page 49](#), details the variations available for T-Server implementations across geographical locations.
- Chapter 4, “Start and Stop T-Server Components,” on [page 103](#), describes how, and in what order, to start up T-Server among other Framework components. It also provides possible stopping commands.

---

## New for All T-Servers in 7.6

Before looking at T-Server's place in Genesys solutions and in the architecture of the Genesys Framework, note the following general changes that have been implemented in the 7.6 release of T-Server:

- **ISCC Transaction Monitoring support.** This release of T-Server supports the ISCC Transaction Monitoring that allows T-Server clients to monitor ISCC transactions of the call data transfer between T-Servers in a multi-site environment. See “ISCC Transaction Monitoring Feature” on [page 88](#) for details.
- **ANI information distribution control.** This release introduces a new configuration option that controls the distribution of the ANI information in TEvent messages. See “ani-distribution” on [page 160](#) for details.
- **Enhancement of use-data-from configuration option.** This option now includes the new valid value `active-data-original-call`. See “use-data-from” on [page 170](#) for details.
- **Enhanced agent session ID reporting.** T-Server now generates and reports a session ID associated with each new agent login (key `AgentSessionID` in `AttributeExtensions`) in agent-state events (`EventAgentLogin`, `EventAgentLogout`, `EventAgentReady`, and `EventAgentNotReady`), and also in the `EventRegistered` and `EventAddressInfo` messages for resynchronization. The agent session IDs are not synchronized with a backup T-Server and new agent session IDs will be assigned to existing agent sessions after a T-Server switchover. See the T-Server client's documentation for agent session ID reporting. Refer to the *Genesys 7 Events and Models Reference Manual* and/or *Voice Platform SDK 7.6 .NET (or Java) API Reference* for details on the key `AgentSessionID` in `AttributeExtensions`.
- **Client-side port definition support.** This release of T-Server supports a new security feature that allows a client application to define its connection parameters before connecting to the server application. Refer to the *Genesys 7.6 Security Deployment Guide* for details.

---

### Notes:

- Configuration option changes common to all T-Servers are described in “Changes from Release 7.5 to 7.6” on [page 182](#).
  - For information about the new features that are available in your T-Server in the initial 7.6 release, see Part Two of this document.
-



## Chapter

# 1

## T-Server Fundamentals

This chapter provides general information about T-Server features and functionality and about its configuration and installation. For reference information about your specific T-Server and about options for all T-Servers, see “Part Two: Reference Information.”

This chapter has various levels of information, some of it intended for people who have configured, installed, and used previous releases of T-Server, and some of it aimed at those less familiar with such T-Server operations. That means some sections will not necessarily be relevant for you.

- If you are an experienced user of T-Server, start with “New for All T-Servers in 7.6” on [page 18](#), and then move to the chapters comprising Part Two of this document, where specific information about your T-Server is available.
- If you are new to T-Server, begin with “[Learning About T-Server.](#)” Once you have read through that and subsequent sections, you are ready for the other chapters in Part One that go into detail about T-Server configuration and installation.

Generally, this chapter presents overview information that applies to all T-Servers (and Network T-Servers) and their deployment. This chapter is divided into the following sections:

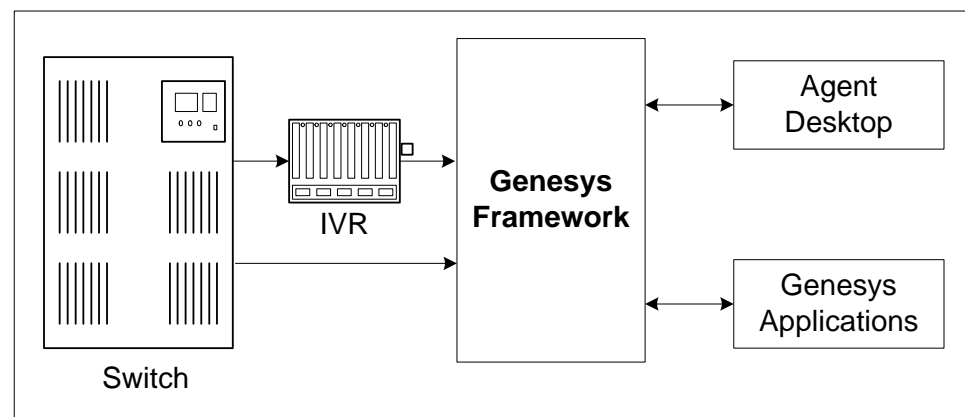
- [Learning About T-Server, page 20](#)
- [Advanced Disconnect Detection Protocol, page 26](#)
- [Redundant T-Servers, page 27](#)
- [Multi-Site Support, page 30](#)
- [Agent Reservation, page 30](#)
- [Client Connections, page 31](#)
- [Next Steps, page 31](#)

# Learning About T-Server

The *Framework 7.6 Deployment Guide* provides you with a high-level introduction to the role that T-Server plays in the Genesys Framework. If you have already looked through that guide, you may recall that T-Server is the most important component of the Framework Media Layer (the other two components are Load Distribution Server (LDS) and HA Proxy). The Media Layer enables Genesys solutions to communicate with various media, including traditional telephony systems, voice over IP (VoIP), e-mail, and the Web. This layer also provides the mechanism for distributing interaction-related business data, also referred to as *attached data*, within and across solutions.

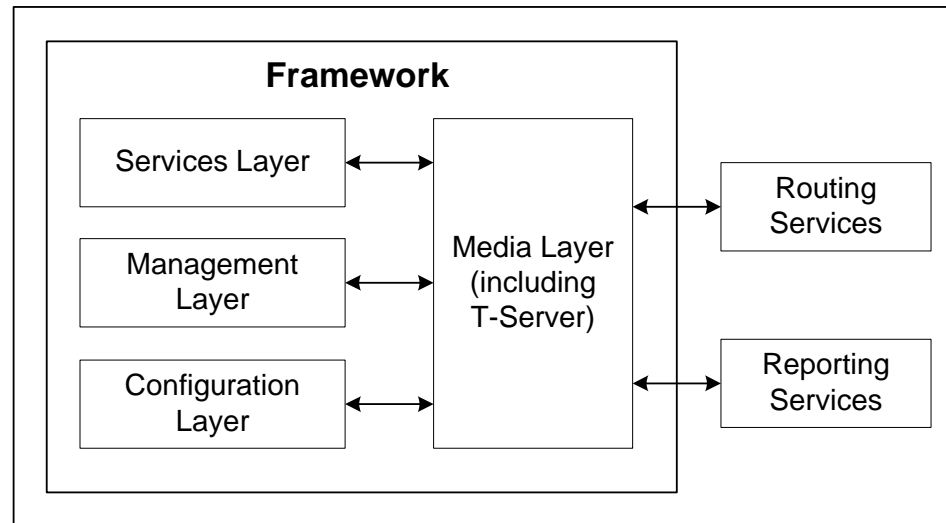
## Framework and Media Layer Architecture

[Figure 1](#) illustrates the position Framework holds in a Genesys solution.



**Figure 1: Framework in a Genesys Solution**

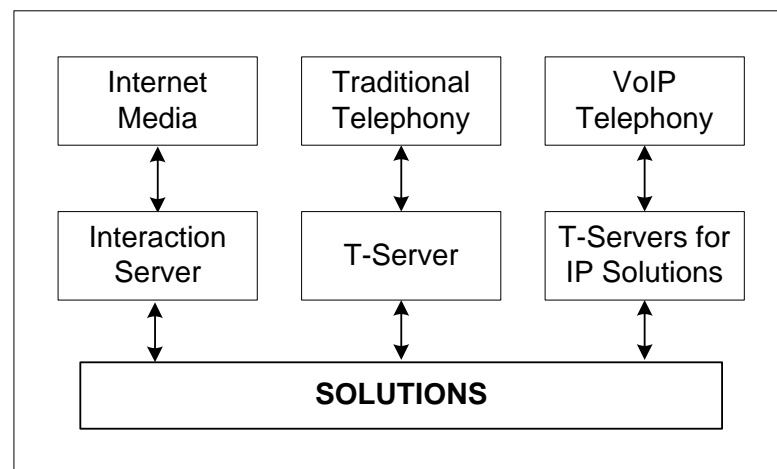
Moving a bit deeper, [Figure 2](#) presents the various layers of the Framework architecture.



**Figure 2: The Media Layer in the Framework Architecture**

T-Server is the heart of the Media Layer—translating the information of the media-device realm into information that Genesys solutions can use. It enables your contact center to handle the computer-based form of the interactions that arrive and it translates the information surrounding a customer contact into reportable and actionable data.

Figure 3 presents the generalized architecture of the Media Layer.



**Figure 3: Media Layer Architecture**

In addition to being the most important component of the Media Layer, T-Server plays the most significant role in making information about telephony traffic and its data available to Framework as a whole.

One or more components in practically every solution are T-Server clients. Solutions comprise a number of different Genesys software packages, from

collections of components for various types of routing to those that allow for outbound dialing to still others. Framework in general, and T-Server in particular, enable these solutions to function in your enterprise.

T-Server has several typical clients: Stat Server, Call Concentrator, Universal Routing Server, and agent desktop applications. T-Server gets the information it needs about the enterprise from Configuration Server. Additionally, if you use the Management Layer, T-Server provides its ongoing status and various other log messages to server components of the Management Layer (for instance, allowing you to set alarms).

## T-Server Requests and Events

This section outlines the roles that T-Server plays in a contact center. While it is possible to describe roles for all T-Servers, at a detailed level, T-Server's functionality depends on the hardware to which it is connected. (For example, when connected to a traditional switch, it performs CTI functions, but when connected to a VOIP-based telephony device, it controls IP traffic.) The CTI connection is only for the switch.

### Details of T-Server Functionality

T-Server is a TCP/IP server that enables intelligent communication between media-specific protocols (such as the various CTI protocols, including CSTA and ASAI) and TCP/IP-based clients of T-Server. Applications that are clients to T-Server use the T-Library format to transmit requests to T-Server through a TCP/IP socket. T-Server can then either translate those requests to CTI protocol for switch use or relay them directly to other TCP/IP clients.

T-Server performs three general functions in the contact center: Bridging, Messaging, and Interaction Tracking.

#### Bridging

T-Server acts as a platform-independent interface between media devices and business applications. In the case of a telephony device, for instance, it receives messages from and sends commands to the telephony equipment using either CTI links provided by the switch manufacturer or interface protocols provided by telephony network vendors.

On the client-application end, T-Server offers three models (call model, agent model, and device model) unified for all switches. The core functionality (such as processing an inbound call, an agent login, or a call-forwarding request) translates into a unified application programming interface (API) called T-Library, so that applications do not need to know what specific switch model they are dealing with. On the other hand, T-Library accommodates many functions that are unique to a specific switch, so that client applications are able to derive the maximum functionality offered by a particular switch.

Refer to the *Genesys 7 Events and Models Reference Manual* for complete information on all T-Server events and call models and to the TServer.Requests portion of the *Voice Platform SDK 7.6 .NET (or Java) API Reference* for technical details of T-Library functions.

## Messaging

In addition to translating requests and events for the client application involved in an interaction, T-Server:

- Provides a subscription mechanism that applications can use to receive notifications about interaction-related and non-interaction-related events within the contact center.
- Broadcasts messages of major importance (such as a notification that the link is down) to all clients.
- Broadcasts messages originated by a T-Server client to other T-Server clients.

The subscription mechanism consists of two parts, the DN subscription and event-type masking. Applications must register for a DN or a set of DNs to receive notifications about all events that occur in association with each registered DN. For example, when two softphone applications are registered for the same DN, and the first application initiates a call from the DN, T-Server notifies both applications that the call is initiated from the DN.

Client applications can also specify one or more types of events, and T-Server will filter out events of the non-specified types and only send events of the requested types. For example, if agent supervisors are interested in receiving agent-related events, such as AgentLogIn and AgentLogout, they have to mask EventAgentLogIn and EventAgentLogout, provided that a particular T-Server supports these events.

The combination of each client's subscription for DNs and masking of event types defines what messages T-Server distributes to what client.

## Interaction Tracking

T-Server maintains call information for the life of the call (or other T-Server-supported media type) and enables client applications to attach user data to the call. Call information includes:

- A unique identifier, connection ID, that T-Server assigns when creating the call.
- Automatic Number Identification (ANI) and Dialed Number Identification Service (DNIS), if reported by the CTI link.
- User data that a client application (such as an Interactive Voice Response unit or Genesys Universal Routing Server) provides.

## Difference and Likeness Across T-Servers

Although Figure 3 on [page 21](#) (and other figures) depicts T-Server that works with telephony systems as a single product, this is a simplification. Because almost every traditional telephony device has its own characteristics and communication protocols, Genesys makes different T-Servers for different telephony systems. (That means T-Server you have will not work with another switch.) Thus, all T-Servers play a common role in the architecture, but their specific features differ from implementation to implementation, based on the media device in use.

Despite their switch-based differences, T-Servers for telephony systems are similar to one another in at least one important respect: they are all built with a certain amount of shared software code. This shared code is rolled into a single unit and is called T-Server Common Part (TSCP). TSCP is the central, common component for all T-Servers and has its own Release Note, which is accessible via a hyperlink from your T-Server's Release Note.

---

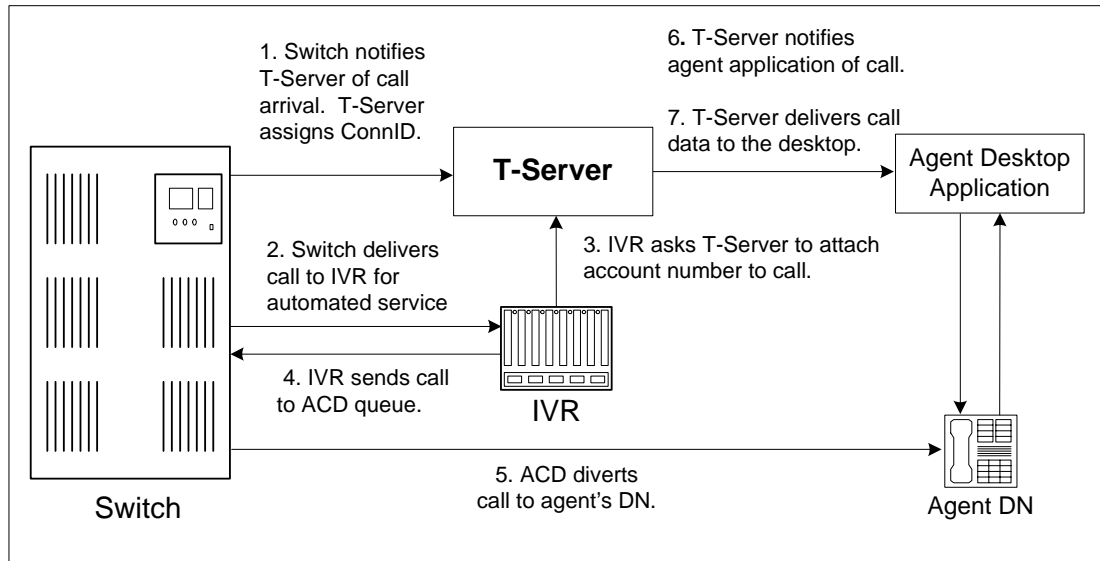
Note: This document separates common-code features based on TSCP into separate sections and chapters, such as the “T-Server Common Configuration Options” chapter. These are the options for all T-Servers that TSCP makes available for configuration.

---

## T-Server Functional Steps During a Sample Call

The following example, [Figure 4](#), outlines some basic steps that T-Server might take when a call arrives from outside the contact center. In this scenario, T-Server starts tracking the call even before it is delivered to the agent. T-Server then informs the selected agent that a call has arrived. When the switch delivers the call to the agent's extension, T-Server presents account information, collected at an Interactive Voice Response (IVR) unit, to the agent at the agent desktop application.





**Figure 4: Functional T-Server Steps**

### Step 1

When the call arrives at the switch, T-Server creates a call in its internal structure. T-Server assigns the call a unique identifier, connection ID.

### Step 2

The switch delivers the call to an Interactive Voice Response (IVR) unit, which begins automated interactions with the caller.

### Step 3

IVR acquires user information from the caller through prompts and requests T-Server to attach that information to the call. T-Server updates the call with the user information.

### Step 4

IVR sends the call to an ACD (Automated Call Distribution) queue.

### Step 5

The ACD unit distributes the call to an available agent logged in to a particular DN (directory number).

### Step 6

T-Server notifies the agent desktop application that the call is ringing on the agent's DN. The notification event contains call data including ANI, DNIS, and account information that the IVR has collected.

### Step 7

The agent desktop application presents the account information, including the name of the person whose account this is, on the agent's screen, so that the agent answering the call has all the relevant information.

These seven steps illustrate just a small part of T-Server's bridging, messaging, and interaction-processing capabilities.

---

## Advanced Disconnect Detection Protocol

Since the 6.0 release of T-Server, the Advanced Disconnect Detection Protocol (ADDP) has replaced the Keep-Alive Protocol (KPL) as the method to detect failures for certain T-Server connections, including connections between two T-Servers and between a T-Server and its clients.

---

### Notes:

- Starting with release 7.5, the KPL backward-compatibility feature is no longer supported.
- ADDP applies only to connections between Genesys software components.

---

With ADDP, protocol activation and initialization is made on the client's side and you can change these parameters. No additional messages are sent when there is existing activity over the connection. T-Server client applications and the remote T-Server (if any) must be listening to the socket and respond promptly to the polling signal for the connection to be preserved.

If you are going to enable ADDP, you must do it using the [protocol](#), [addp-timeout](#), [addp-remote-timeout](#), and [addp-trace](#) configuration options. When configuring a timeout, consider the following issues:

- The configured timeout must be at least twice as long as the maximum network latency.
- There may be an interval when T-Server does not check for network activity.
- If the link connection fails but the client is not notified (for example, because the host is turned off, or because a network cable is unplugged), the maximum reaction time to a link-connection failure is equal to double the configured timeout plus the established network latency.

Also keep in mind that the T-Server receiving the polling signal may not respond immediately, and that a delay occurs between the polling signal and the response to travel from one T-Server to another. If you don't account for these contingencies when configuring a timeout, the connection that ADDP is monitoring will be dropped periodically.

## Redundant T-Servers

T-Servers can operate in a high-availability (HA) configuration, providing you with redundant systems. The basics of each T-Server's redundant capabilities differ from T-Server to T-Server. One basic principle of redundant T-Servers is the standby redundancy type, which dictates how quickly a backup T-Server steps in when the primary T-Server goes down.

The Framework Management Layer currently supports two types of redundant configurations: warm standby and hot standby. All T-Servers offer the warm standby redundancy type and, starting with release 7.1, the hot standby redundancy type is implemented in T-Servers for most types of switches. (See [Table 1](#).)

Specifics on your T-Server's HA capabilities are outlined in Part Two of this document.

Notes:

- Network T-Servers use a load-sharing redundancy schema instead of warm or hot standby. Specifics on your T-Server's HA capabilities are discussed in Part Two of this document.
- IVR Server does not support simultaneous configuration of both Load Balancing functionality and warm standby. Only one of these is supported at a time.

### Support for Hot Standby Redundancy in Various T-Servers

Use [Table 1](#) to determine whether your T-Server supports the hot standby redundancy type. The table also indicates whether HA Proxy components are required for this support, and, if so, how many are required per pair of redundant T-Servers (or per link if so noted).

[Table 1](#) only summarizes hot standby redundancy support in various T-Servers. For detailed, up-to-date information on the subject, see the *Genesys 7 Supported Media Interfaces* white paper located on the Technical Support website at <http://genesyslab.com/support/dl/retrieve/default.asp?item=A9CB309AF4DEB8127C5640A3C32445A7&view=item>.

**Table 1: T-Server Support of the Hot Standby Redundancy Type**

T-Server Type	Hot Standby Supported	HA Proxy Required	Number of HA Proxy Components
Alcatel A4200/OXO	Yes	No	—
Alcatel A4400/OXE	Yes	No	—

**Table 1: T-Server Support of the Hot Standby Redundancy Type (Continued)**

T-Server Type	Hot Standby Supported	HA Proxy Required	Number of HA Proxy Components
Aspect ACD	Yes	No	1
Avaya Communication Manager	Yes	No <sup>a</sup>	—
Avaya INDeX	Yes	No	—
Cisco CallManager	Yes	No	—
DataVoice Dharma	Yes	No	—
Digitro AXS/20	Yes	No	—
EADS Intecom M6880	Yes	No	—
EADS Telecom M6500	Yes	No	—
eOn eQueue	Yes	No	—
Ericsson MD110	Yes	No	—
Fujitsu F9600	Yes	No	—
Huawei C&C08	Yes	No	—
Mitel SX-2000/MN-3300	Yes	No	—
NEC NEAX/APEX	Yes	No	—
Nortel Communication Server 2000/2100	Yes	Yes <sup>b</sup> , No <sup>c</sup>	1 per link
Nortel Communication Server 1000 with SCCS/MLS	Yes	No	—
Philips Sopho iS3000	Yes	No <sup>d</sup>	1
Radvision iContact	No	—	—
Rockwell Spectrum	Yes	No	—
Samsung IP-PCX IAP	Yes	No	—
Siemens Hicom 300/HiPath 4000 CSTA I	Yes	No	—
Siemens HiPath 3000	Yes	No	—
Siemens HiPath 4000 CSTA III	Yes	No	—
Siemens HiPath DX	Yes	No	—

**Table 1: T-Server Support of the Hot Standby Redundancy Type (Continued)**

T-Server Type	Hot Standby Supported	HA Proxy Required	Number of HA Proxy Components
SIP Server	Yes	No	—
Tadiran Coral	Yes	No	—
Teltronics 20-20	Yes	Yes	1
Tenovis Integral 33/55	Yes	No	—
Network T-Servers <sup>e</sup>			
AT&T	No	—	—
Concert	No	—	—
CRSP	No	—	—
DTAG	No	—	—
GenSpec	No	—	—
ISCP	No	—	—
IVR Server, using network configuration	No	—	—
KPN	No	—	—
MCI	No	—	—
NGSN	No	—	—
Network SIP Server	No	—	—
Sprint	No	—	—
SR3511	No	—	—
Stentor	No	—	—

- a. With release 7.1, T-Server for Avaya Communication Manager no longer uses HA Proxy for its support of hot standby. Earlier releases of this T-Server require two HA Proxies (for which there is a Configuration Wizard) to support hot standby.
- b. For T-Server for Nortel Communication Server 2000/2100 in high-availability (hot standby) configuration, Genesys recommends that you use link version SCAI14 or above with call-progress and noncontroller-released messages enabled. See the switch-specific information in Part 2 of this *Deployment Guide* for additional information on HA configurations.

- c. Starting with release 7.5, T-Server for Nortel Communication Server 2000/2100 supports HA without HA Proxy when operating in Dual CTI Links mode. See the switch-specific information in Part 2 of this *Deployment Guide* for additional information on HA configurations.
- d. Starting with release 6.5.3, T-Server for Philips Sopho iS3000 supports HA both with and without HA Proxy.
- e. Although they do not support high availability per se, Network T-Servers do support a load-sharing schema.

---

## Multi-Site Support

Multi-site configuration implies the existence of two or more switches that belong to the same enterprise or service provider, and that share the Genesys Configuration Database. (In some cases this may include isolated partitions on a given switch served by different T-Servers.) The main goal of T-Server support for multi-site operations is to maintain critical information about a call as it travels from one switch to another.

For instructions on installing and configuring a multi-site environment, including information on the Inter Server Call Control (ISCC) features, please see Chapter 3, “Multi-Site Support,” on [page 49](#).

---

## Agent Reservation

T-Server provides support for clients to invoke the agent reservation function, `TReserveAgent()`. This function allows a server application that is a client of T-Server to reserve a DN along with an agent, a Place, or both, so that no other T-Server client can route calls to it during a specified reservation interval. Alternatively, when clients use the ISCC feature (see “ISCC Call Data Transfer Service” on [page 51](#)), they can use an agent reservation embedded in an ISCC request. (To do so, clients have to specify a certain Extensions attribute in an ISCC request when initiating an ISCC transaction. See [page 56](#) for the list of ISCC requests.)

The reservation does not currently prevent the reserved objects from receiving direct calls or calls distributed from ACD Queues; agent reservation is intended as a way of synchronizing the operation of several clients. See `RequestReserveAgent` in the *Voice Platform SDK 7.6 .NET (or Java) API Reference* for more details on this function from the client’s point of view.

In addition to invoking the `TReserveAgent` function, you can customize the Agent Reservation feature by configuring options in the T-Server Application object. See “Agent-Reservation Section” on [page 167](#) in the “T-Server Common Configuration Options” chapter in Part Two for more details.

---

## Client Connections

The number of connections T-Server can accept from its clients depend on the operating system that T-Server runs. [Table 2](#) illustrates the number of client connections that T-Server support.

**Table 2: Number of T-Server’s Client Connections**

Operating System	Number of Connections
AIX 32-bit and 64-bit modes (versions 5.1, 5.2, 5.3)	32767
HP-UX 32-bit and 64-bit modes (versions 11.0, 11.11, 11i v2)	2048
Linux 32-bit mode (versions RHEL 3.0, RHEL 4.0)	32768
Solaris 32-bit mode (versions 2.7, 8, 9)	4096
Solaris 64-bit mode (versions 2.7, 8, 9, 10)	65536
Tru64 UNIX (versions 4.0F, 5.1, 5.1B)	4096
Windows Server 2003	4096

---

## Next Steps

Now that you have gained a general understanding of the roles and features available with T-Servers, you’re ready to learn how T-Servers are installed and configured. That information is presented in the next few chapters of this *Deployment Guide*. So unless you are already familiar with T-Server deployment and operation procedures, continue with Chapter 2, “T-Server General Deployment,” on [page 33](#). Otherwise, you may want to jump to Part Two of this *Deployment Guide*, where you will find information about your specific T-Server.







Chapter

# 2 T-Server General Deployment

This chapter contains general information for the deployment, configuration, and installation of your T-Server. You may have to complete additional configuration and installation steps specific to your T-Server and switch. You will find these steps in Part Two of this document.

This chapter contains these sections:

- [Prerequisites, page 33](#)
- [Deployment Sequence, page 38](#)
- [Wizard Deployment of T-Server, page 38](#)
- [Manual Deployment of T-Server, page 41](#)
- [Next Steps, page 48](#)

---

Note: You *must* read the *Framework 7.6 Deployment Guide* before proceeding with this T-Server guide. That book contains information about the Genesys software you must deploy before deploying T-Server.

---

---

## Prerequisites

T-Server has a number of prerequisites for deployment. Read through this section before deploying your T-Server.

## Software Requirements

### Framework Components

You can only configure T-Server after you have deployed the Configuration Layer of Genesys Framework. This layer contains DB Server, Configuration Server, Configuration Manager, and, at your option, Deployment Wizards. If you intend to monitor or control T-Server through the Management Layer, you must also install and configure components of this Framework layer, such as Local Control Agent (LCA), Message Server, Solution Control Server (SCS), and Solution Control Interface (SCI), before deploying T-Server.

Refer to the *Framework 7.6 Deployment Guide* for information about, and deployment instructions for, these Framework components.

### Media Layer and LCA

To monitor the status of components in the Media Layer through the Management Layer, you must load an instance of LCA on every host running Media Layer components. Without LCA, Management Layer cannot monitor the status of any of these components. If you do not use the Management Layer, LCA is not required.

### Supported Platforms

Refer to the *Genesys 7 Supported Operating Systems and Databases* white paper for the list of operating systems and database systems supported in Genesys releases 7.x. You can find this document on the Genesys Technical Support website at <http://genesyslab.com/support/dl/retrieve/default.asp?item=B6C52FB62DB42BB229B02755A3D92054&view=item>.

For UNIX-based (UNIX) operating systems, also review the list of patches Genesys uses for software product builds, and upgrade your patch configuration if necessary. A description of patch configuration is linked to installation read\_me.html files for the Genesys applications that operate on UNIX, and is available within the installation packages.

### Security

Starting with release 7.5, T-Server supports the Genesys Transport Layer Security (TLS) and can be configured for secure data exchange with the other Genesys components that support this functionality.

The Genesys TLS is not supported on all operating systems that T-Server itself supports. For information about the supported operating systems, see the *Genesys 7.6 Security Deployment Guide*.

# Hardware and Network Environment Requirements

## Hosting

Genesys recommends that you or your IT specialist assign host computers to Genesys software before you start Genesys installation. Remember the following restrictions:

- Do not install all the Genesys server applications on the same host computer.
- When installing a few server applications on the same host computer, prevent them (except for Configuration Server) from using the swap area.

## Installation Privileges

During deployment, be sure to log in with an account that will permit you to perform administrative functions—that is, one that has root privileges.

## Server Locations

Refer to the “Network Locations for Framework Components” chapter of the *Framework 7.6 Deployment Guide* for recommendations on server locations.

## Supported Platforms

Refer to the *Genesys Supported Media Interfaces* white paper for the list of supported switch and PABX versions. You can find this document on the Genesys Technical Support website at <http://genesyslab.com/support/dl/retrieve/default.asp?item=A9CB309AF4DEB8127C5640A3C32445A7&view=item>.

# Licensing Requirements

All Genesys software is licensed—that is, it is not shareware. Genesys products are protected through legal license conditions as part of your purchase contract. However, the level of technical license-control enforcement varies across different solutions and components.

Before you begin to install T-Server, remember that, although you may not have had to use technical licenses for your software when you deployed the Configuration and Management Layers in their basic configurations, this is not the case with the Media Layer.

T-Server requires seat-related DN technical licenses to operate even in its most basic configuration. Without appropriate licenses, you cannot install and start T-Server. If you have not already done so, Genesys recommends that you install License Manager and configure a license file at this point. For complete

information on which products require what types of licenses, and on the installation procedure for License Manager, refer to the *Genesys 7 Licensing Guide* available on the Genesys Documentation Library CD.

The sections that follow briefly describe the T-Server license types.

---

Note: Starting with release 7.2, the licensing requirements for T-Server have changed from previous releases. Please read this section carefully and refer to the *Genesys 7 Licensing Guide* for complete licensing information.

---

## Licensing Basic Implementations

A stand-alone T-Server serving a single site requires licenses to register all DNs it monitors. DNs that agents use in day-to-day contact center operations, such as Extensions and ACD Positions, have to be registered using licenses that control agent seats.

---

Note: Configure all seat DNs that agents use (Extensions and ACD Positions) in the Configuration Layer. This enables detailed call monitoring through Genesys reporting, and generally allows you to control access to individual DNs.

---

## Licensing HA Implementations

T-Servers operating with the hot standby redundancy type require a special CTI HA technical license, which allows for high-availability implementations, in addition to regular T-Server licenses. Neither T-Server in a redundant pair configured for hot standby starts if this license is unavailable. Moreover, the primary and backup T-Servers must use the same licenses to control the same pool of DNs. If your T-Servers are configured with the hot standby redundancy type, order licenses for CTI HA support.

## Licensing Multi-Site Implementations

T-Servers performing multi-site operations require licenses that allow for such operations, in addition to regular T-Server licenses. If some of your T-Servers are configured for multi-site routing while others are not, either order licenses for multi-site support for all T-Servers or install an additional License Manager to handle the T-Servers involved in multi-site routing.

---

Note: You do not need licenses for multi-site support if some T-Server clients include the local location as the `location` attribute value in their requests for routing within the same site.

---

## Configuring License Files

You need a license to configure and install Media Layer components. Genesys recommends that, if you have not already done so, at this point you:

1. Install License Manager.
2. Configure license files.

---

Note: If you use the <port>@<server> format when entering the name of the license server during installation, remember that some operating systems use @ as a special character. In this case, the installation routine is unable to write license information for T-Server to the Configuration Layer or the run.sh file. Therefore, when you use the <port>@<server> format, you must manually modify the command-line license parameter after installing T-Server.

---

For information about which products require what types of licenses and for the installation procedure for License Manager, refer to the *Genesys 7 Licensing Guide* available on the Genesys Documentation Library CD.

## About Configuration Options

Configuring T-Server is not a onetime operation. It is something you do at the time of installation and then in an ongoing way to ensure the continued optimal performance of your software. You must enter values for T-Server configuration options in the relevant Wizard screens or on the Options tab of your T-Server Application object in Configuration Manager. The instructions for configuring and installing T-Server that you see here are only the most rudimentary parts of the process. You must refer extensively to the configuration options chapters located in Part Two of this book. Pay particular attention to the configuration options specific to your own T-Server.

Configuration options common to all T-Servers, independent of switch type, are described in Chapter 8, “T-Server Common Configuration Options,” on [page 159](#). *Switch-specific* configuration options are described in a separate chapter. T-Server also supports unified Genesys log options, as described in the “Common Configuration Options” chapter.

Options that configure values for the TSCP software in your T-Server are common to all T-Servers. Options based on the custom features of your switch apply to your T-Server only. Familiarize yourself with both types of options. You will want to adjust them to accommodate your production environment and the business rules that you want implemented there.

---

## Deployment Sequence

Genesys recommends deploying T-Server by using the Media Configuration Wizard. However, if for some reason you must manually deploy T-Server, you will also find instructions for doing that in this chapter.

The recommended sequence to follow before deploying T-Server is described below. Steps 1 through 3 apply for both Wizard-based and manual deployment. For Wizard deployment, Steps 4 and 5 take place within the Wizard deployment process itself.

### Wizard or Manual Deployment

1. Deploy Configuration Layer objects and ensure Configuration Manager is running (see the *Framework 7.6 Deployment Guide*).
2. Deploy Network objects (such as Host objects).
3. Deploy the Management Layer (see the *Framework 7.6 Deployment Guide*).

When manually deploying T-Server, you must continue with the next two steps. If you are deploying T-Server with the Configuration Wizard, the next two steps take place within the Wizard deployment process itself, where you can create and configure all the necessary objects for T-Server deployment.

### Manual Deployment

4. Configure Telephony objects (see “Manual Configuration of Telephony Objects” on [page 42](#)):
  - Switching Offices
  - Switches
  - Agent Logins
  - DNs
5. Deploy the Media Layer:
  - T-Server (beginning with “Manual Configuration of T-Server” on [page 44](#)).

If, during the installation procedure for any of the Genesys applications, the script warns you that Configuration Server is unavailable and that the configuration cannot be updated, continue with the installation. Following the installation, you must complete the information on the Start Info tab to ensure that T-Server will run.

### Verifying Starting Parameters

When installation is complete, verify the information on the Start Info tab to ensure that T-Server will run. See “Verifying the manual installation of T-Server” on [page 48](#).

---

## Wizard Deployment of T-Server

Configuration Wizards facilitate component deployment. T-Server configuration and installation involves many steps, and Genesys strongly

recommends that you set up T-Server using the Wizard rather than manually. T-Server Wizard guides you through a series of steps and options to customize your deployment of T-Server.

## Wizard Configuration of T-Server

The first step to take for a Wizard-based configuration is to install and launch Genesys Wizard Manager. (Refer to the *Framework 7.6 Deployment Guide* for instructions.) When you first launch Genesys Wizard Manager, it suggests that you set up the Management Layer and then the Framework. The Framework setup begins with configuring and creating the objects related to T-Server, starting with the Switch and Switching Office objects, and the T-Server's Application object itself.

---

Note: With the Wizard, you create your T-Server Application object in the course of creating your Switch object.

---

During creation of the Switch object, you also have an opportunity to run the Log Wizard to set up T-Server logging. Then, you can specify values for the most important T-Server options. Finally, you can create contact center objects related to T-Server, such as DNS, Agent Logins, and some others.

---

Note: During configuration of a Switch object, the Wizard prompts you to copy a T-Server installation package to an assigned computer. After that package is copied to the destination directory on the T-Server host, complete the last steps of the T-Server configuration. Then, install T-Server on its host.

---

After you complete the Framework configuration, the Genesys Wizard Manager screen no longer prompts you to set up the Framework. Instead, it suggests that you set up your solutions or add various contact center objects to the Framework configuration, including the Switch, DNS and Places, Agent Logins, Agent Groups, Place Groups, and, in a multi-tenant environment, a Tenant. In each case, click the link for the object you wish to create. Again, you create a new T-Server Application object in the course of creating a new Switch object.

## Wizard Installation of T-Server

After creating and configuring your T-Server and its related components with the Wizard, you proceed to T-Server installation. That installation process closely mimics that of previously installed components.

---

Note: Certain Wizard-related procedures are not described in this document. Refer to the *Framework 7.6 Deployment Guide* for general instructions.

---

---

Warning! Genesys does not recommend installation of its components via a Microsoft Remote Desktop connection. The installation should be performed locally.

---

---

## Procedure: Installing T-Server on UNIX using Wizard

### Start of procedure

1. In the directory to which the T-Server installation package was copied during Wizard configuration, locate a shell script called `install.sh`.
2. Run this script from the command prompt by typing `sh` and the file name. For example: `sh install.sh`.
3. When prompted, confirm the host name of the computer on which T-Server is to be installed.
4. When prompted, confirm the application name of the T-Server that is to be installed.
5. Specify the destination directory into which T-Server is to be installed, with the full path to it.
6. If asked which version of the product to install, the 32-bit or the 64-bit, choose the one appropriate to your environment.
7. Specify the license information that T-Server is to use.
8. As soon as the installation process is finished, a message appears announcing that installation was successful. The process places T-Server in the directory with the name specified during the installation.

### End of procedure

### Next Steps

- To test your configuration and installation, go to Chapter 4, “Start and Stop T-Server Components,” on [page 103](#), and try it out. To install T-Servers for a multi-site environment, proceed to Chapter 3, “Multi-Site Support,” on [page 49](#).



---

## Procedure: Installing T-Server on Windows using Wizard

### Start of procedure

1. Open the directory to which the T-Server installation package was copied during Wizard configuration.
2. Locate and double-click Setup.exe to start the installation. The Welcome screen launches.
3. When prompted, specify the connection parameters to the Configuration Server associated with this T-Server.
4. Identify the T-Server Application object in the Configuration Layer to be used by this T-Server.
5. Specify the license information that T-Server is to use.
6. Specify the destination directory into which T-Server is to be installed.
7. Click Install to begin the installation.
8. Click Finish to complete the installation.

By default, T-Server is installed as a Genesys service (Windows Services) with Automatic startup type.

### End of procedure

### Next Steps

- To test your configuration and installation, go to Chapter 4, “Start and Stop T-Server Components,” on [page 103](#), and try it out. To install T-Servers for a multi-site environment, proceed to Chapter 3, “Multi-Site Support,” on [page 49](#).

---

## Manual Deployment of T-Server

Deploying T-Server manually requires that you configure a number of different objects in the Configuration Layer prior to setting up your T-Server

objects and then install T-Server. This section describes the manual deployment process.

## Manual Configuration of Telephony Objects

This section describes how to manually configure T-Server Telephony objects if you are using Configuration Manager.

### Recommendations

Genesys recommends registering (configuring) only those entities you plan to use in the current configuration. The more data there is in the Configuration Database, the longer it takes for the CTI setup to start, and the longer it will take to process configuration data. Remember that adding configuration objects to the Genesys Configuration Database does not cause any interruption in contact center operation.

Depending on how much work is required to manually configure all applications and objects, consider registering more Person objects first, with a set of privileges that lets them perform configuration tasks.

### Switching Offices

Your telephony network may contain many switching offices, but you should only configure those that are involved with customer interactions.

Using Configuration Manager, be sure to register a `Switching Office` object that accommodates your `Switch` object under `Environment`. Until you have done this, you cannot register a `Switch` object under `Resources` (single-tenant environment) or a `Tenant` (multi-tenant environment).

---

Note: The value for the switching office name must not have spaces in it.

---

### Switches

1. Configure a `Switch` object for each switch on your telephony network. Assign each `Switch` object to the appropriate `T-Server` object.
2. If implementing the multi-site configuration, specify access codes for all switches on the network so that the call-processing applications can route and transfer calls between switches.

Two types of access codes exist in a Genesys configuration:

- Default access codes that specify how to reach this switch from any other switch in the Genesys environment.

- Switch-to-switch access codes that specify how to reach a particular switch from any other switch. Use this type when either a nondefault dial number or routing type is required between any two locations. When a switch-to-switch access code is configured, its value has a higher priority than that of a default access code.

See Chapter 3, “Multi-Site Support,” on [page 49](#), for step-by-step instructions.

---

Note: When the numbering plan uses unique directory number (DN) assignment across sites and multi-site routing is not used, you do not have to configure access codes.

---

## DNs and Agent Logins

---

Note: Starting with release 7.2, the requirements for configuring DN in the Configuration Layer have changed. Refer to Part Two of this guide for information about the requirements on configuring specific DN types for your T-Server.

---

For each T-Server for which you are configuring DN, you must configure all DN that agents and their supervisors use in day-to-day contact center operation—so-called *seat-related DN*s—such as Extensions and ACD Positions. Otherwise, T-Server does not register such DN.

1. To configure Telephony objects within each switch, consult the switch documentation. Information specific to your T-Server in Part Two of this document contains tables that indicate how to set DN types in the Genesys Configuration Database depending on the switch DN types and configuration.
2. Check the numbering plan for different types of DN, to see if you can save time by registering Ranges of DN. Usually, DN of the same type have consecutive numbers, which will make an otherwise tedious configuration task easy. Agent Login objects almost always have consecutive numbers, which means you can register them through the Range of Agent Logins feature as well.
3. If you plan to use Virtual Queues and Virtual Routing Points in the contact center operation, Genesys recommends registering them after you have outlined the call-processing algorithms and identified your reporting needs.

---

Note: Remember that CTI applications, not the switch, generate telephony events for DN of these types.

---

---

**Warning!** DNs with the Register flag set to false may not be processed at T-Server startup; therefore, associations on the switch will be created only when T-Server client applications require DN registration.

---

### Multi-Site Operations

See the section, “Configuring Multi-Site Support” on [page 89](#), for information on setting up DNs for multi-site operations.

## Manual Configuration of T-Server

---

**Note:** Use the *Framework 7.6 Deployment Guide* to prepare accurate configuration information. You may also want to consult *Configuration Manager Help*, which contains detailed information about configuring objects.

---

### Recommendations

Genesys recommends using an Application Template when you are configuring your T-Server application. The Application Template for your particular T-Server contains the most important configuration options set to the values recommended for the majority of environments. When modifying configuration options for your T-Server application later in the process, you can change the values inherited from the template rather than create all the options by yourself.

---

### Procedure: Configuring T-Server manually

Start of procedure

1. Follow the standard procedure for configuring all Application objects to begin configuring your T-Server Application object. Refer to the *Framework 7.6 Deployment Guide* for instructions.
2. In a Multi-Tenant environment, specify the Tenant to which this T-Server belongs on the General tab of the Properties dialog box.
3. On the Connections tab:
  - Add all Genesys applications to which T-Server must connect.

---

Note: For multi-site deployments you should also specify T-Server connections on the Connections tab for any T-Servers that may transfer calls directly to each other.

---

4. On the Options tab, specify values for configuration options as appropriate for your environment.

---

Note: For T-Server option descriptions, see Part Two of this document. The configuration options common to all T-Servers are described in the “T-Server Common Configuration Options” chapter. The switch-specific configuration options are described in a separate chapter. T-Server also uses common Genesys log options, described in the “Common Configuration Options” chapter.

---

5. In a multi-site environment, you must complete additional T-Server configuration steps to support multi-site operations; see Chapter 3, “Multi-Site Support,” on [page 49](#).

End of procedure

Next Steps

- See “Manual Installation of T-Server” on [page 46](#).

---

## Procedure: Configuring multiple ports

Purpose: To configure multiple ports in T-Server for its client connections.

Start of procedure

1. Open the T-Server Application Properties dialog box.
2. Click the Server Info tab.
3. In the Ports section, click Add Port.
4. In the Port Properties dialog box, on the Port Info tab:
  - a. In the Port ID text box, enter the port ID.
  - b. In the Communication Port text box, enter the number of the new port.
  - c. In the Connection Protocol box, select the connection protocol, if necessary.
  - d. Select the Listening Mode option.

---

Note: For more information on configuring secure connections between Framework components, see *Genesys 7.6 Security Deployment Guide*.

---

- e. Click OK.
5. Click OK to save the new configuration.

End of procedure

## Manual Installation of T-Server

The following directories on the Genesys 7.6 Media product CD contain T-Server installation packages:

- `media_layer/<switch>/<platform>` for UNIX installations, where `<switch>` is your switch name and `<platform>` is your operating system.
- `media_layer\<switch>\windows` for Windows installations, where `<switch>` is your switch name.

---

### Procedure: Installing T-Server on UNIX manually

---

Note: During installation on UNIX, all files are copied into the directory you specify. No additional directories are created within this directory. Therefore, do not install different products into the same directory.

---

Start of procedure

1. In the directory to which the T-Server installation package was copied, locate a shell script called `install.sh`.
2. Run this script from the command prompt by typing `sh` and the file name. For example: `sh install.sh`.
3. When prompted, confirm the host name of the computer on which T-Server is to be installed.
4. When prompted, specify the host and port of Configuration Server.
5. When prompted, enter the user name and password to access Configuration Server.
6. When prompted, select the T-Server application you configured in “Configuring T-Server manually” on [page 44](#) from the list of applications.
7. Specify the destination directory into which T-Server is to be installed, with the full path to it.

8. If asked which version of the product to install, the 32-bit or the 64-bit, choose the one appropriate to your environment.
9. Specify the license information that T-Server is to use: either the full path to, and the name of, the license file, or the license server parameters.
10. As soon as the installation process is finished, a message appears announcing that installation was successful. The process places T-Server in the directory with the name specified during the installation.

End of procedure

Next Steps

- To verify manual installation, go to “Verifying the manual installation of T-Server” on [page 48](#).
- To test your configuration and installation, go to Chapter 4, “Start and Stop T-Server Components,” on [page 103](#), and try it out. To install T-Servers for a multi-site environment, proceed to Chapter 3, “Multi-Site Support,” on [page 49](#).

---

## Procedure: Installing T-Server on Windows manually

Start of procedure

1. In the directory to which the T-Server installation package was copied, locate and double-click Setup.exe to start the installation.
2. When prompted, specify the connection parameters to the Configuration Server associated with this T-Server.
3. When prompted, select the T-Server Application you configured in “Configuring T-Server manually” on [page 44](#) from the list of applications.
4. Specify the license information that T-Server is to use: either the full path to, and the name of, the license file, or the license server parameters.
5. Specify the destination directory into which T-Server is to be installed.
6. Click **I n s t a l l** to begin the installation.
7. Click **F i n i s h** to complete the installation.

By default, T-Server is installed as a Genesys service (Windows Services) with **A u t o m a t i c** startup type.

End of procedure

### Next Steps

- To verify manual installation, go to “Verifying the manual installation of T-Server” on [page 48](#).
- To test your configuration and installation, go to Chapter 4, “Start and Stop T-Server Components,” on [page 103](#), and try it out. To install T-Servers for a multi-site environment, proceed to Chapter 3, “Multi-Site Support,” on [page 49](#).

---

## Procedure: Verifying the manual installation of T-Server

**Purpose:** To verify the completeness of the manual installation of T-Server to ensure that T-Server will run.

### Prerequisites

- [Installing T-Server on UNIX manually, page 46](#)
- [Installing T-Server on Windows manually, page 47](#)

### Start of procedure

1. Open the Properties dialog box for a corresponding Application object in Configuration Manager.
2. Verify that the State Enabled check box on the General tab is selected.
3. Verify that the Working Directory, command-line, and Command-Line Arguments are specified correctly on the Start Info tab.
4. Click Apply and OK to save any configuration updates.

### End of procedure

---

## Next Steps

At this point, you have either used the Wizard to configure and install T-Server, or you have done it manually, using Configuration Manager. In either case, if you want to test your configuration and installation, go to Chapter 4, “Start and Stop T-Server Components,” on [page 103](#), and try it out. you want to install T-Servers for a multi-site environment, proceed to Chapter 3, “Multi-Site Support,” on [page 49](#).





Chapter

# 3

## Multi-Site Support

This chapter contains general information about multi-site environments, as well as information on deploying a multi-site environment for your T-Server.

This chapter is divided into the following sections:

- [Multi-Site Fundamentals, page 50](#)
- [ISCC Call Data Transfer Service, page 51](#)
- [ISCC/COF Feature, page 69](#)
- [Number Translation Feature, page 73](#)
- [Network Attended Transfer/Conference Feature, page 81](#)
- [Event Propagation Feature, page 83](#)
- [ISCC Transaction Monitoring Feature, page 88](#)
- [Configuring Multi-Site Support, page 89](#)
- [Next Steps, page 102](#)

---

Note: Each switch/T-Server combination offers different multi-site options. For details describing your specific switch/T-Server environment, refer to Chapter 8, “T-Server Common Configuration Options,” on [page 159](#).

---

The following instructions apply to both local and remote switches and T-Servers. Because different vendor switches can be installed at the local and remote locations, this chapter covers several, but not all, possible configurations. To help determine which sections of this chapter apply to your situation, refer to Table 3 on [page 65](#) and Table 4 on [page 70](#).

For more information on your specific switch/T-Server environment, refer to the multi-site topics in Part Two of this guide.

---

# Multi-Site Fundamentals

A multi-site configuration has two or more switches that belong to the same enterprise or service provider and that share the Genesys Configuration Database. (In some cases, this may include isolated partitions on a given switch served by different T-Servers.) The main goal of T-Server support for multi-site operations is to maintain critical information about a call as it travels from one switch to another.

T-Server supports multi-site operations using its *Inter Server Call Control* (ISCC; formerly called External Routing), which supports the following functions:

- **Call matching**—To link instances of a call distributed across multiple sites and to re-attach essential data associated with the call (ConnID, UserData, call history). The following T-Server features support this capability:
  - ISCC Call Data Transfer Service (active external routing)—when requested by a T-Server client by specifying the desired destination in the `Location` parameter, and also with various ISCC strategies performed by direct dial or by using the Transfer Connect Service. See “ISCC Transaction Types” on [page 56](#) and “Transfer Connect Service Feature” on [page 68](#).
  - Inter Server Call Control/Call Overflow (ISCC/COF) feature (passive external routing)—applicable when calls are overflowed to another site either directly or manually (see [page 69](#)).
  - Number Translation feature (see [page 73](#)).
  - Network Attended Transfer/Conference (NAT/C) feature (see [page 81](#)).

---

Note: When ISCC detects call instance reappearance on a given site, the call is assigned a unique ConnID and the user data is synchronized with the previous call instances. This ensures that ConnIDs assigned to different instances of the same call on a given site are unique.

---

- **Call data synchronization between associated call instances (ISCC Event Propagation)**—To provide the most current data to call instances residing on remote T-Servers. The following T-Server features support this capability:
  - User Data propagation (see [page 83](#))
  - Party Events propagation (see [page 85](#))

---

Note: ISCC automatically detects topology loops and prevents continuous updates.

---

---

Note: In distributed networks, Genesys recommends using call flows that prevent multiple reappearances of the same call instance, and call topology loops. This approach ensures that all T-Servers involved with the call report the same ConnID, and also optimizes telephony trunk allocation (that is, it prevents trunk tromboning).

---

The T-Server configuration contains information about other T-Servers with which it will communicate. T-Server uses this information to connect with the other T-Servers. During this “handshake” process, T-Servers exchange information about the following parameters:

- Protocol type
- Switch type
- Server name
- Location name (switch name)
- T-Server role (primary or backup)

To complete the handshake process, T-Servers exchange messages about the current condition of the links to their switches. After the handshake process is complete, T-Server is ready to support a multi-site operation.

---

## ISCC Call Data Transfer Service

Because ISCC supports active external routing, T-Servers that serve different switches (usually on different sites) can exchange call data when a call is passed from one switch to another. With this functionality, T-Server provides its clients with the following additional information about each call received from another switch:

- The ConnID of the call
- Updates to user data attached to the call at the previous site
- Call history

---

Note: Load-sharing IVR Servers and Network T-Servers cannot be designated as the destination location for ISCC.

---

[Figure 5](#) shows the steps that occur during a typical external routing (ISCC) transaction. Note that the location where a call is initially processed is called the *origination location*, and the location to which the call is passed is called the *destination location*.

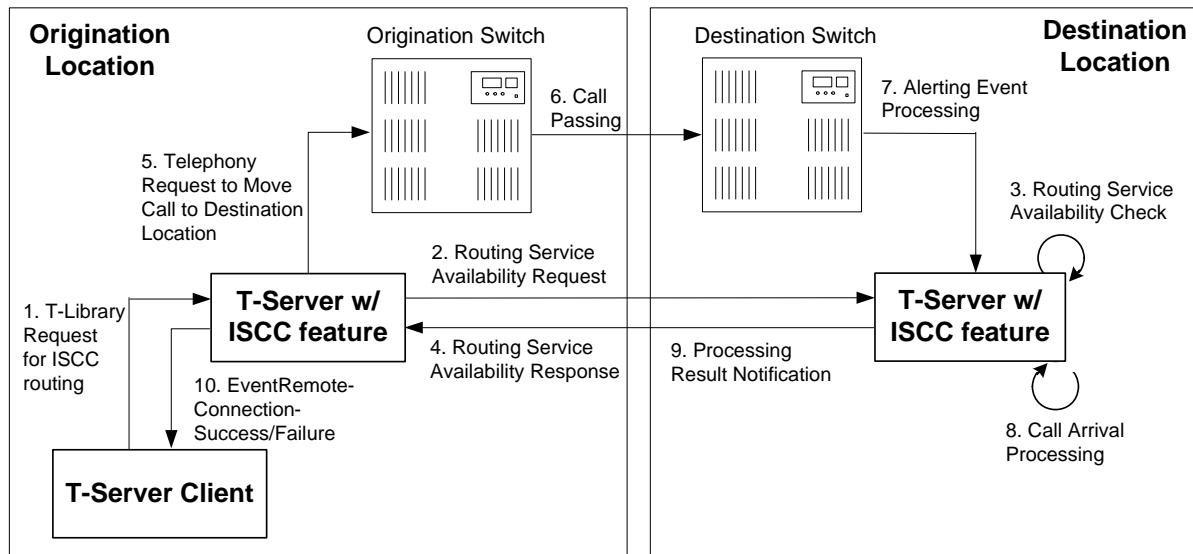


Figure 5: Steps in the ISCC Process

## ISCC Call Flow

The following section identifies the steps (shown in [Figure 5](#)) that occur during an ISCC transfer of a call.

### Step 1

A client connected to the T-Server at the origination location requests this T-Server to pass a call with call data to another location. For this purpose, the client must specify the `location` parameter (`Attribute Location`) when calling a corresponding T-Library function. ISCC processes the following T-Library requests:

- `TInitiateConference`
- `TInitiateTransfer`
- `TMakeCall`
- `TMuteTransfer`
- `TRouteCall`
- `TSingleStepTransfer`

### Step 2

Upon receiving a client's request, the origination T-Server checks that the:

1. Connection to the destination T-Server is configured in the origination T-Server Properties dialog box.
2. The connection to the destination T-Server is active.
3. The destination T-Server is connected to its link.

4. The origination T-Server is connected to its link.

If these four conditions are met, the origination T-Server determines the transaction type that will be used for passing call data to another location in this transaction. The following possibilities exist:

- The client can request what *ISCC transaction type* (or simply *transaction type*) to use by specifying an appropriate key-value pair in the Extensions attribute of the request. The key-value pair must have a key equal to `iscc-transaction-type` and either an integer value as specified in the `TXRouteType` enumeration (see the *Voice Platform SDK 7.6 .NET (or Java) API Reference*) or a string value equal to one of the following: `default`, `route`, `direct` (or `direct-callid`), `direct-network-callid`, `direct-notoken`, `direct-ani`, `direct-uu`, `direct-digits`, `reroute`, `dni-s-pool`, `pullback`, or `route-uu`.
- If the client does not specify the transaction type in the request or specifies the default transaction type, T-Server checks the Switch configuration for the transaction type configured in the Access Code (or Default Access Code) properties:
  - If the Route Type property of the Access Code is set to any value other than `default`, T-Server uses the specified value as the transaction type.
  - If the Route Type property of the Access Code is set to the default value, T-Server uses the first value from the list specified in the `cast-type` configuration option configured for the destination T-Server. If no value has been specified for the `cast-type` option, the default value of `route` is used as the transaction type.

---

Note: See “Switches and Access Codes” on [page 90](#) for more information on Access Codes and Default Access Codes.

---

After the origination T-Server determines the requested transaction type, it determines if the destination T-Server supports this transaction type.

You must list the transaction types T-Server supports in the `cast-type` configuration option.

The origination T-Server issues a request for routing service availability and sends it to the destination T-Server. The T-Server request contains data that should be passed along with the call to the destination location. This data includes the transaction type, `ConnID`, `UserData`, and `CallHistory`.

The timer specified by the `request-tout` configuration option is set when the origination T-Server sends the request. If either the specified timeout expires or the call is abandoned before the origination T-Server receives a response from the destination T-Server, the operation is considered failed. In this scenario, the origination T-Server:

1. Generates a request to the destination T-Server to cancel the request for routing service.
2. Sends `EventError` to the client that requested the service.

### 3. Deletes information about the request.

#### Step 3

The destination T-Server receives the request for routing service availability and checks the requested type of routing. Depending on the ISCC transaction type, it stores the request information and, when appropriate, allocates access resources for the coming call. For example, an External Routing Point is allocated when the transaction type is `route`, and a DNIS number is allocated when the transaction type is `dnis-pool`.

---

Note: The `resource-allocation-mode` and `resource-load-maximum` configuration options determine how resources are allocated. Refer to Chapter 8, “T-Server Common Configuration Options,” on page 159 for option descriptions.

---

If resources are unavailable, the request is queued at the destination location until a resource is free or the origination T-Server cancels the request. If the request is canceled, the destination T-Server deletes all information about the request.

If resources are unavailable because of incorrect configuration, the destination T-Server returns an error event to the origination T-Server.

#### Step 4

If resources are available, the destination T-Server generates a positive response and the timer is started for the interval specified by the `timeout` configuration option of the destination T-Server.

#### Step 5

If the origination T-Server receives a negative response, it sends an `EventError` message to the client and clears all data about the request.

If the origination T-Server receives the confirmation about routing service availability, it processes the client’s request and sends a corresponding message to the switch. The timer on the origination T-Server is also started for the interval specified by the `timeout` configuration option of the destination T-Server.

#### Step 6

The origination switch processes the T-Server request and passes the call to the destination switch.

#### Step 7

If the call arrives at the destination switch, the switch generates an alerting event.

The destination T-Server waits for the call no longer than the interval specified by the timeout configured on the destination T-Server. If the call is not received at the destination location within this interval, the destination T-Server issues a failure notification to the origination T-Server, deletes all data about the request, and, when appropriate, frees the resources previously allocated for the request.

If either the specified timeout expires or the call is abandoned before the origination T-Server receives a response from the destination T-Server, the operation is considered failed. In this case, the origination T-Server:

1. Generates a request to the destination T-Server to cancel the request for routing service.
2. Responds to the client that requested the service in one of the following ways:
  - If the origination T-Server has already sent a response to the request the client sent in Step 1, the origination T-Server supplements its response with `EventRemoteConnectionFailed`.
  - If the origination T-Server has not yet sent a response to the client, the origination T-Server sends `EventError`.
3. Deletes information about the request.

### Step 8

If the destination T-Server matches the arrived call, it updates the `ConnID`, `UserData`, and `CallHistory` attributes with the data received in the request for routing service availability. The connection ID is updated as follows:

The arrived call is assigned the `ConnID` that is specified in the request for routing service availability, but only if this `ConnID` does not coincide with the `ConnID` of a call that has existed at the destination site. If two such `ConnIDs` are identical, the arrived call is assigned a new unique `ConnID`.

For `direct-*` transaction types (where the asterisk stands for a `callid`, `uii`, `ani`, or `digits` extension), the call reaches the destination DN directly.

For the transaction types `route` and `route-uuu`, the call first arrives at an External Routing Point from which it is routed to the destination DN. The call info is updated when the call reaches the External Routing Point. An External Routing Point is considered free when the first alerting event (`EventQueued` or `EventRouteRequest`) is distributed.

Please keep the following issues in mind when using the ISCC feature:

- If routing from a dedicated External Routing Point to the destination DN fails, T-Server considers the transaction failed. However, the `ConnID`, `UserData`, and `CallHistory` attributes are updated. Then, T-Server attempts to route the call to one of the Default DNs configured for this External Routing Point.

- If the destination T-Server did not receive a request for routing service availability, but a call arrives at an External Routing Point, T-Server considers the call to be unexpected and routes the call to the DN specified by the `dn-for-unexpected-calls` configuration option. When no alternative targets are defined, the call remains at the External Routing Point until diverted by the switch or abandoned by the caller.

For reroute and pull back transaction types, the call returns to the network location. For the `dni s-pool` transaction type, the call reaches the destination DN directly.

### Step 9

If, in Step 8, the call does not arrive within the configured timeout, or the transaction fails, the destination T-Server sends a notification of failure to the origination T-Server.

Otherwise, the destination T-Server notifies the origination T-Server that the routing service was successful and deletes all information about the request.

### Step 10

The origination T-Server notifies the client that the routing service was successful (or failed) and deletes all information about the request.

## ISCC Transaction Types

As switches of different types provide calls with different sets of information parameters, a single mechanism for passing call data between the switches is not feasible in some cases. Therefore, the ISCC feature supports a number of mechanisms for passing call data along with calls between locations. This section describes ISCC transaction type principles, identifies which transaction types are supported for each T-Server, and defines each transaction type (beginning with “direct-ani” on [page 58](#)).

It is important to distinguish the two roles that T-Servers play in an external routing (ISCC) transaction—namely *origination T-Server* and *destination T-Server*.

- The origination T-Server initiates an ISCC transaction. It prepares to send the call to another T-Server and coordinates the process.
- The destination T-Server receives call data from an origination T-Server and matches this data to a call that will arrive at some time in the future.

The distinction between these roles is important because the range of telephony-hardware functionality often requires T-Servers to support two entirely different sets of ISCC transactions based on which of the two roles they play. For instance, it is very common for a particular T-Server to support many types of ISCC transactions when it takes on the origination role, but fewer when it takes on the role of a destination T-Server.



The ISCC transaction type Reroute is a good example. Most T-Servers support Reroute as origination T-Servers, but very few support Reroute as destination T-Servers.

## Determining and Configuring Transaction Type Support

You can find descriptions of these transaction types starting on [page 58](#). Use Table 3 on [page 65](#) to identify the transaction types your destination T-Server supports. A blank table cell indicates that T-Server does not support a certain transaction type.

You can configure the transaction types specific to your T-Server as values of the [cast-type](#) configuration option specified in the ISCC configuration section extrouter. Refer to Chapter 8, “T-Server Common Configuration Options,” on [page 159](#) for the option description.

### ISCC Transaction Type General Principles

Generally, since most of the ISCC implementation is done at the T-Server Common Part (TSCP) code level, all T-Servers support certain ISCC transaction types. Any T-Server can act as the origination T-Server for the following transaction types:

- [direct-ani](#), [page 58](#)
- [direct-notoken](#), [page 60](#)
- [dni s-pool](#), [page 60](#)
- [pull back](#), [page 62](#)
- [reroute](#), [page 62](#)
- [route](#) (aliased as [route-notoken](#)), the default transaction type, [page 63](#)

The following transaction types are unevenly supported for both the origination and destination T-Server roles:

- [direct-callid](#) (aliased as [direct](#)), [page 58](#)
- [direct-digits](#) (reserved for Genesys Engineering)
- [direct-network-callid](#), [page 59](#)
- [direct-uu](#), [page 59](#)
- [route-uu](#), [page 64](#)

The [reroute](#) and [pull back](#) transaction types are supported only for selected T-Servers in the *destination* role. However, if you implement this support, other transaction types require additional configuration and testing—even those that would normally be supported by default.

## direct-ani

With the transaction type `direct-ani`, the ANI network attribute is taken as the parameter for call matching. Properly configured switches and trunks can keep the ANI attribute when a call is transferred over the network. T-Server is capable of using this network feature for call matching.

---

### Warnings!

- Depending on the switch platform, it is possible to inherit the ANI attribute after routing a call to a remote destination, and after performing a Single-Step Transfer and other telephone actions. However, ISCC only works properly in scenarios where the ANI attribute on the destination T-Server is represented by exactly the same digit string as on the origination T-Server.
- Typically, the ANI attribute represents the original call identifier (customer phone number), which guarantees that the attribute remains unique. However, you can use the `non-unique-ani` resource type to block ISCC from matching calls based on an ANI that is known to be non-unique. (See “Configuring access resources for non-unique ANI” on [page 99](#) for details.)

---

### Notes:

- Some switches, such as Nortel Communication Server 2000/2100 (formerly DMS-100) and Avaya Communication Manager (formerly DEFINITY ECS (MV)), may omit the ANI attribute for internal calls—that is, for calls whose origination and destination DNs belong to the same switch. If this is the case, do not use the `direct-ani` transaction type when making, routing, or transferring internal calls with the ISCC feature.
- When the `direct-ani` transaction type is in use, the Number Translation feature becomes active. See “Number Translation Feature” on [page 73](#) for more information on the feature configuration.
- With respect to the `direct` transaction types, Network T-Servers and load-sharing IVR Servers are not meant to play the role of destination T-Servers for call routing. Using Network T-Server with these transaction types requires special architecture.

---

## direct-callid

With the transaction type `direct-callid`, the call reaches the destination DN directly from another location, and the CallID of the call is taken as the attribute for call matching. When a call arrives at the final destination, the

destination T-Server identifies its Call ID, and updates the call info if the Call ID matches.

Use this transaction type when the destination switch has the capability to assign to an incoming call the same network-wide unique Call ID that the origination switch has already assigned to that call.

---

Notes:

- The `direct-callid` transaction type is used only in conjunction with the `TRouteCall` and `TSingleStepTransfer` function calls. They are applied only to the call that is in progress, and do not apply to functions that involve in the creation of a new call (for example, `TMakeCall`.)
  - For T-Server for Nortel Communication Server 2000/2100, the `direct-callid` transaction type is also applied to the `TMuteTransfer` function.
- 

## direct-network-callid

With the transaction type `direct-network-callid`, the call reaches the destination DN directly from another location, and the `NetworkCallID` of the call is taken as the attribute for call matching. When a call arrives at the final destination, the destination T-Server identifies its `NetworkCallID`, and updates the call info if the `NetworkCallID` matches.

Use this transaction type when the destination switch has the capability to assign to an incoming call the same network-wide unique `NetworkCallID` that the origination switch has already assigned to that call.

---

Note: To support this transaction type, you must configure `Target Type` and `ISCC Protocol Parameters` fields of the corresponding `Switch Access Code` in the Configuration Layer. Refer to Part Two of this document for information about settings specific for your T-Server type.

---

## direct-uuI

With the transaction type `direct-uuI`, so-called user-to-user information (UUI) is taken as the attribute for call matching. Some switches make it possible to send a small data packet along with a call. T-Server can use this data to recognize a call passed from one switch to another. The destination T-Server generates a local unique value for UUI, and then notifies the origination T-Server. The origination T-Server uses a provided value to mark the call coming from the origination location. The destination T-Server receives a call and checks whether it is marked with an exact UUI value. If so, the call is considered as matched.

On the Avaya Communication Manager and the Aspect ACD, UUI is referred to as “user-to-user information.” On the Siemens Hicom 300 switch with CallBridge, UUI is referred to as “Private User Data.” On the Alcatel A4400/OXE switch, UUI is referred to as “correlator data.”

---

Note: To support this transaction type, you must configure your switches to pass the UUI provided by your T-Server. Moreover, the trunks involved must not drop this data.

---

## direct-notoken

With the transaction type `direct-notoken`, T-Server expects a call to arrive from another location to the destination DN specified in the request for routing service availability. When a call reaches the specified DN, T-Server processes the call as the expected externally routed call.

---

Notes:

- This matching criterion is weak because any call that reaches the specified DN is considered to be the expected call. Genesys recommends that you use this transaction type only in a contact center subdivision that can be reached from within the contact center only (for example, the second line of support, which customers cannot contact directly).
  - With respect to the `direct` transaction types, Network T-Servers and load-sharing IVR Servers are not meant to play the role of destination T-Servers for call routing. Using Network T-Server with these transaction types requires special architecture.
- 

## dnis-pool

With the `dnis-pool` transaction type, T-Server reserves one of its DNIS access resources and waits for the call that has the same DNIS attribute as the name of the reserved DNIS access resource.

If the arrived call is matched successfully, the destination T-Server may update the value of the DNIS attribute of the call (along with `ConnID`, `UserData`, and `CallHistory`) with the value of the DNIS attribute of the original call. This occurs when the value of the DNIS attribute of the original call is specified as a value of the key-value pair `_ISCC_TRACKING_NUMBER_` in the `Extensions` attribute of the original client request.

The DNIS matching can be based on any number of digits out of all the digits that comprise the DNIS attribute. The number of digits that T-Server should use for DNIS matching is specified for the destination switch as the ISCC Protocol Parameters property of the Switch Access Code. The value syntax should be as follows:

`dni s-tail=<number-of-digits>`

For example, if this property is set to the `dni s-tail=7` value, ISCC matches only the last seven digits of a DNIS.

You must configure DNIS access resources in the switch; otherwise, ISCC fails to use this transaction type and sends `EventError` in response to the client application request.

---

Note: The `dni s-pool` transaction type is typically used for networks employing a “behind the SCP” architecture—network IVR. Network T-Server for GenSpec and IServer are two examples of this, but other Network T-Servers might also be used in this architecture.

---

### In Load-Balancing Mode

When T-Server uses load balancing for call routing with the `dni s-pool` transaction type, the following processes occur:

1. A client of the origination T-Server sends a request to pass a call to the location with a DNIS access resource specified in the key-value pair `iscc-selected-dnis`.
2. The origination T-Server distributes the request for a routing service to all destination T-Servers.
3. The destination T-Servers receive the request and check that the specified DNIS is not being used by another routing service request.
4. The origination T-Server expects to receive a positive response from each destination T-Server. If the origination T-Server receives a negative response from at least one T-Server, it sends an `EventError` to the client and clears all data about the request. If the origination T-Server receives the confirmation about routing service availability from all destination T-Servers, it processes the client’s request and sends a corresponding message to the switch.
5. The origination switch processes the T-Server request and passes the call to the destination switch.
6. The call arrives at the destination switch, which generates an alerting event to one of the corresponding load-balanced destination T-Servers.
7. That destination T-Server processes the call and notifies the origination T-Server that the routing service was successful and deletes all information about the request.
8. The origination T-Server sends a routing service request cancellation to all other destination T-Servers.
9. The origination T-Server notifies the client that the routing service has been successful and deletes all information about the request.

## pullback

Pullback is used in the following scenario, for those T-Servers that support it:

1. A call arrives at Site A served by a Network T-Server.
2. At Site A, a Network T-Server client requests to pass the call by means of ISCC routing to Site B served by a premise T-Server. Any transaction type except reroute or pullback can be specified in this request.
3. The call arrives at Site B and is either answered by an agent or delivered to a routing point.
4. A client of the premise T-Server at Site B sends a TRouteCall, TSingleStepTransfer, or TGetAccessNumber request to transfer the call to the network.
5. The Site B premise T-Server notifies the Network T-Server about this request.
6. The network T-Server receives the notification and issues an EventRouteRequest to obtain a new destination.
7. After receiving the new destination information, the Network T-Server disconnects the call from its current premise location at Site B and attempts to route the call to the new destination.
8. The Site B premise T-Server stops tracking the call, which has disconnected from the premise's agent DN or routing point and is delivered to the network.
9. The network T-Server completes routing the call to its new destination.

---

Note: The transaction type pullback can be used only to return a call from a premise T-Server to the Network T-Server that serves the site from which the call was previously transferred.

---

## reroute

Only Network T-Servers use the transaction type reroute, and only in the following scenario:

1. A call arrives at Site A served by a Network T-Server.
2. At site A, a Network T-Server client requests to pass the call by means of ISCC to Site B served by a premise T-Server. Any transaction type except reroute or pullback can be specified in this request.
3. An agent at Site B answers the call.
4. A client of the premise T-Server at Site B sends a TSingleStepTransfer or TRouteCall request to transfer the call elsewhere (to a PSTN, to an agent, or to a routing point).

5. The Site B premise T-Server notifies the Network T-Server about this request and releases the call leg that resides at the agent's phone (using `TReleaseCall`) or at the Routing Point (using `TRouteCall` with the parameter `RouteTypeCallDisconnect`).
6. The Network T-Server receives the notification and reroutes the call to the requested destination—that is, it sends `EventRouteRequest` and attaches the call's user data.

---

Notes:

- The transaction type `reroute` can be used only to return a call from a premise T-Server to the Network T-Server that serves the site from which the call was previously transferred.
  - To perform multi-site operations that are initiated with `TRouteCall` and for which the `reroute` transaction type is requested, the origination T-Server must support the `RouteTypeCallDisconnect` subtype of `TRouteCall`.
- 

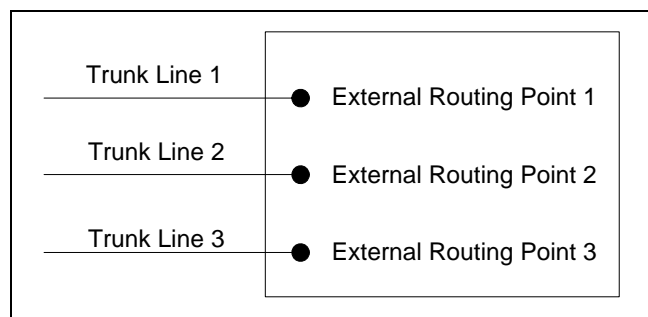
## route

With the transaction type `route` (aliased as `route-notoken`), a call from the origination location reaches a dedicated External Routing Point, and from there, it is routed to a destination DN.

To control configured External Routing Points, T-Server must register these DNs with the switch. Failure to register implies that the External Routing Point is not available for ISCC purposes. Client applications can register External Routing Points via T-Server for monitoring purposes only.

### Point-to-Point (One-to-One)

In the Point-to-Point access mode, only one trunk line is used to access an External Routing Point (for example, VDN, CDN) at the destination site. See [Figure 6](#).



**Figure 6: Point-to-Point Trunk Configuration**

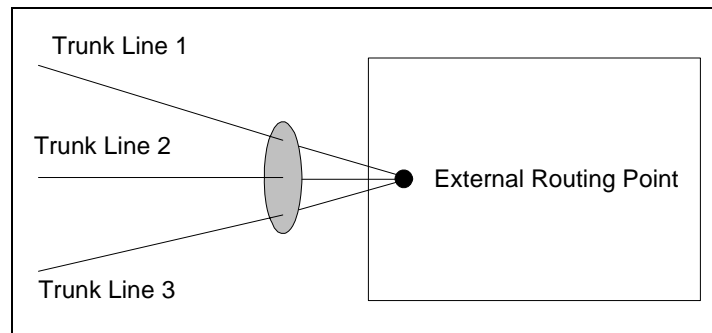
---

Note: Dedicated DN's of the External Routing Point type must be configured in a switch. See “Configuring Multi-Site Support” on [page 89](#).

---

### Multiple-to-Point (Multiple-to-One)

In the Multiple-to-Point access mode, trunk lines are assigned to the destination switch's trunk group, from which calls are routed to the final destination. See [Figure 7](#).



**Figure 7: Multiple-to-Point Trunk Configuration**

With this configuration, all calls reach the same External Routing Point. The DNIS attribute of a specific call differs from that of other calls and uniquely identifies the trunk from which the call arrived.

---

Note: To switch to this operating mode, you must configure the `route-dn` configuration option for T-Server.

---

### route-uu

The `route-uu` transaction type employs the dedicated External Routing Point feature of the `route` transaction type ([page 63](#)) and the UUI matching feature of the `direct-uu` transaction type ([page 59](#)). This transaction type accommodates those switches that require a designated External Routing Point even though they use UUI for tracking.

---

Note: To support this transaction type, you must configure your switches to pass the UUI provided by your T-Server. Moreover, the trunks involved must not drop this data.

---

## T-Server Transaction Type Support

[Table 3](#) shows which transaction types are supported by a specific T-Server. Use this table to determine the transaction types that are available for use with



your T-Server. This applies both to the [cast-type](#) you specify in the configuration options for your T-Server, and to any client-designated route-type requests specified for transfers of calls. A blank table cell indicates that T-Server does not support a certain transaction type.

**Table 3: T-Server Support of Transaction Types**

T-Server Type	Transaction Type										
	route		re-route	direct-callid	direct-uuui / route-uuui	direct-no-token	direct-ani	direct-digits	direct-network-callid	dnis-pool	pull-back
	one-to-one	multiple-to-one									
Alcatel A4200/OXO	Yes			Yes		Yes	Yes				
Alcatel A4400/OXE	Yes			Yes <sup>a,b,c</sup>	Yes <sup>d</sup>	Yes	Yes <sup>a</sup>		Yes <sup>e</sup>		
Aspect ACD	Yes	Yes		Yes		Yes <sup>f</sup>	Yes <sup>f</sup>				
Avaya Communication Manager	Yes				Yes	Yes	Yes				
Avaya INDeX	Yes			Yes		Yes	Yes				
Cisco CallManager	Yes			Yes		Yes	Yes				
DataVoice Dharma	Yes			Yes		Yes	Yes				
Digitro AXS/20	Yes			Yes		Yes					
EADS Intecom M6880	Yes			Yes		Yes	Yes				
EADS Telecom M6500	Yes			Yes		Yes	Yes				
eOn eQueue	Yes			Yes		Yes					
Ericsson MD110	Yes			Yes <sup>a</sup>		Yes	Yes <sup>a</sup>				
Fujitsu F9600	Yes					Yes					

**Table 3: T-Server Support of Transaction Types (Continued)**

T-Server Type	Transaction Type										
	route		re-route	direct-callid	direct-uuu / route-uuu	direct-no-token	direct-ani	direct-digits	direct-network-callid	dnis-pool	pull-back
	one-to-one	multiple-to-one									
Huawei C&C08	Yes			Yes							
Mitel SX-2000/MN3300	Yes			Yes		Yes	Yes				
NEC NEAX/APEX	Yes			Yes		Yes	Yes				
Nortel Communication Server 2000/2100	Yes			Yes <sup>f</sup>		Yes <sup>f</sup>	Yes <sup>f</sup>				
Nortel Communication Server 1000 with SCCS/MLS	Yes			Yes		Yes	Yes		Yes		
Philips Sopho iS3000	Yes			Yes		Yes	Yes				
Radvision iContact	Yes		Yes								Yes
Rockwell Spectrum	Yes	Yes		Yes		Yes <sup>f</sup>	Yes <sup>f</sup>				
Samsung IP-PCX IAP	Yes			Yes		Yes					
Siemens Hicom 300/HiPath 4000 CSTA I	Yes			Yes	Yes <sup>b</sup>	Yes	Yes				
Siemens HiPath 3000	Yes			Yes		Yes					
Siemens HiPath 4000 CSTA III	Yes				Yes <sup>b</sup>	Yes	Yes				

**Table 3: T-Server Support of Transaction Types (Continued)**

T-Server Type	Transaction Type										
	route		re-route	direct-callid	direct-uuu / route-uuu	direct-no-token	direct-ani	direct-digits	direct-network-callid	dnis-pool	pull-back
	one-to-one	multiple-to-one									
Siemens HiPath DX	Yes			Yes	Yes	Yes	Yes				
SIP Server	Yes				Yes	Yes					
Tadiran Coral	Yes			Yes		Yes	Yes				
Teltronics 20-20	Yes			Yes		Yes	Yes				
Tenovis Integral 33/55	Yes			Yes		Yes	Yes				
Network T-Servers											
AT&T											
Concert											
CRSP											Yes
DTAG			Yes								
GenSpec	Yes	Yes	Yes							Yes	
IVR Server, using network configuration	Yes	Yes	Yes							Yes	Yes
KPN			Yes								
ISCP											
MCI											
NGSN	Yes										Yes
Network SIP Server	Yes					Yes	Yes			Yes	
Sprint	Yes										

**Table 3: T-Server Support of Transaction Types (Continued)**

T-Server Type	Transaction Type										
	route		re-route	direct-callid	direct-uuui / route-uuui	direct-no-token	direct-ani	direct-digits	direct-network-callid	dnis-pool	pull-back
	one-to-one	multiple-to-one									
SR-3511											
Stentor											

- Not supported in the case of function `TRequestRouteCall` on a virtual routing point: a routing point can be simulated using a hunt group with calls being deflected or transferred from the hunt-group member when routing. When a two-step (typically mute) transfer is used on such a hunt-group member, `CallID` and `ANI` usually change; thus, the `direct-callid` and `direct-ani` types do not work.
- Not supported in the case of function `TSingleStepTransfer` when the T-Server service is simulated using a two-step transfer to the switch. In this case, `CallID` and `ANI` change; thus, the `direct-callid` and `direct-ani` types do not work.
- Not supported if two T-Servers are connected to different nodes.
- There are some switch-specific limitations when assigning `CSTA` correlator data `UUUI` to a call.
- Supported only on `ABCF` trunks (Alcatel internal network).
- To use this transaction type, you must select the `Use Override` check box on the `Advanced` tab of the `DN Properties` dialog box.

## Transfer Connect Service Feature

The Transfer Connect Service (TCS) feature supports transfer connect services available on some telephony networks. When this feature is enabled, ISCC passes user data to remote locations to which calls are transferred or conferenced using transfer connect services.

---

### Procedure: Activating Transfer Connect Service

#### Start of procedure

- Open the T-Server Application's `Properties` dialog box.
- Click the `Options` tab.
- Set the `tcs-use` configuration option to `always`.

4. Set the `tcs-queue` configuration option to the number of a DN on the origination switch.

ISCC uses this DN as an intermediate step when sending calls to the remote location. The DN that is configured as `tcs-queue` receives attached data indicating the Feature Access Code (FAC) needed to reach the remote site. After a call is directed to the DN with data, a monitoring application takes the data and generates the required DTMF (dual-tone multifrequency) tones to redirect the call through the network to the remote location.

5. When you are finished, click **Apply**.
6. Click **OK** to save your changes and exit the **Properties** dialog box.

#### End of procedure

---

**Note:** With T-Server for Avaya Communication Manager, you can use `RequestRouteCall` with `RouteTypeOverwriteDNIS` to initiate the playing of DTMF tones. This is done through the use of another intermediate DN (typically, an announcement port configured to give the silence treatment), to which the call is routed. When the call is established on this DN, T-Server requests that the digits sent in the `DNIS` field of the `TRequestRouteCall` be played via the `ASAI-send-DTMF-single` procedure.

---

---

## ISCC/COF Feature

The Inter Server Call Control/Call Overflow (ISCC/COF) feature of T-Server, that supports passive external routing, is specifically designed to handle calls delivered between sites by means other than ISCC. Such scenarios include contact center overflows and manual call transfers.

An *overflow situation* occurs when a call comes into a contact center where all agents are currently busy. In this situation, the switch can transfer (overflow) the incoming call to another site where there is an available agent.

T-Server uses two methods to handle call overflow and manual transfer scenarios. The first method is based on `NetworkCallID` matching and the second method is based on `ANI/OtherDN` matching.

When connected to each other via switch-specific networks, switches of some types can pass additional information along with transferred calls. This information may contain the `NetworkCallID` of a call, which is a networkwide unique identifier of the call.

When connected via a regular PSTN, switches of all types can send the `ANI` and/or `OtherDN` attributes to the destination switch during any call transfer operation.

While all T-Servers support the ISCC/COF feature using the ANI and/or OtherDN attributes, only a few support this feature using the NetworkCallID attribute. Table 4 shows the switches that provide the NetworkCallID of a call.

**Table 4: T-Server Support of NetworkCallID for ISCC/COF Feature**

T-Server Type	Supported NetworkCallID Attribute
Alcatel A4400/OXE	Yes
Aspect ACD	Yes
Avaya Communication Manager	Yes
Nortel Communication Server 2000/2100	Yes
Nortel Communication Server 1000 with SCCS/MLS	Yes
Rockwell Spectrum	Yes

The ISCC/COF feature can use any of the three attributes (NetworkCallID, ANI, or OtherDN) as criteria for matching the arriving call with an existing call at another location. Consequently, the attribute that is used determines what ConnID, UserData, and CallHistory are received for the matched call from the call's previous location.

---

**Warning!** Depending on the switch platform, it is possible to inherit the ANI attribute after routing a call to a remote destination, and after performing a Single-Step Transfer and other telephone actions. However, ISCC/COF works properly only in scenarios where the ANI attribute on the destination T-Server is represented by exactly the same unique digit string as on the origination T-Server. Typically the ANI attribute represents the original call identifier (customer phone number), which guarantees that the attribute remains unique.

---



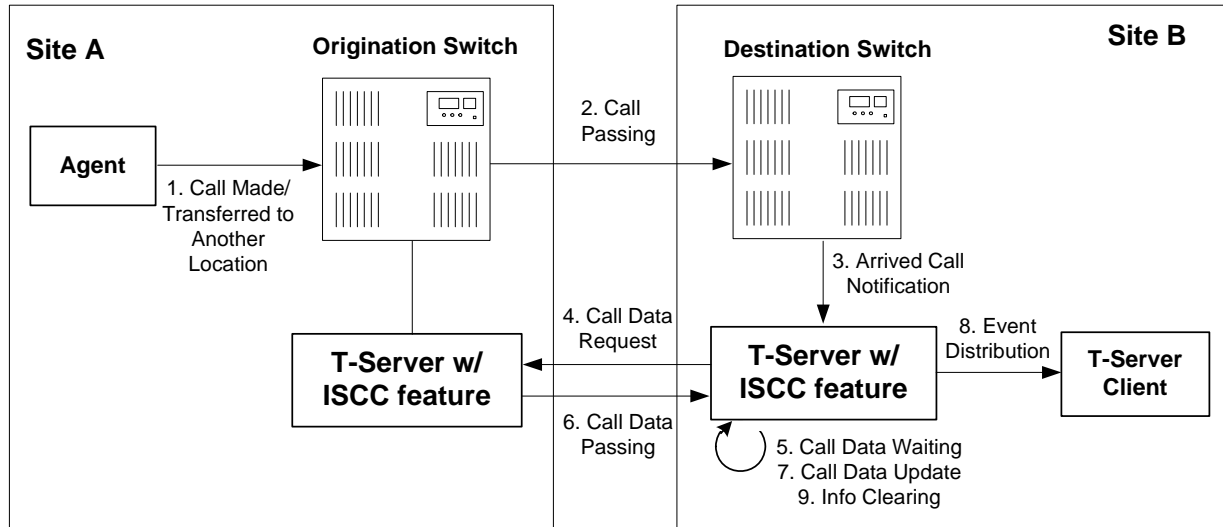
---

**Note:** When the ISCC/COF feature is in use, the Number Translation feature becomes active. See “Number Translation Feature” on [page 73](#) for more information on the feature configuration.

---

## ISCC/COF Call Flow

[Figure 8](#) shows the sequence of steps that occur in an ISCC/COF scenario when a call is made or transferred by an agent at Site A to a DN at Site B, or when a call is overflowed from Site A to Site B.



**Figure 8: Steps in the ISCC/COF Process**

### Step 1

An agent makes or transfers a call manually to another location or a call is overflowed from Site A (origination location) to Site B (destination location).

### Step 2

Switch A (the origination switch) passes the call to Switch B (the destination switch).

### Step 3

The call reaches the destination switch, which notifies the destination T-Server about the arrived call.

### Step 4

The destination T-Server verifies with remote locations whether the call was overflowed from any of them.

To determine which calls to check as possibly overflowed, T-Server relies on the Switch object configuration:

- If no COF DNs (that is, DNs of the Access Resources type with the Resource Type set to `cof-in` or `cof-not-in`) are configured for the destination switch, the ISCC/COF feature of the destination T-Server checks all arriving calls.
- If a number of COF DNs are configured for the destination switch, one of three scenarios occurs:

- If the COF DN's with the `cof-in` setting for the Resource Type property are configured, the ISCC/COF checks for overflow only those calls that arrive to those `cof-in` DN's that are Enabled.
- If no DN's with the `cof-in` setting for the Resource Type property are configured, but some DN's have the `cof-not-in` setting for the Resource Type property, the ISCC/COF checks for overflow only those calls that arrive to those `cof-not-in` DN's that are Disabled.
- If no DN's with the `cof-in` setting for the Resource Type property are configured, some DN's have the `cof-not-in` setting for the Resource Type property, and some other DN's do not have any setting for the Resource Type property, the ISCC/COF checks for overflow only those calls that arrive to the DN's without any setting for the Resource Type property.
- In all other cases, no calls are checked for overflow.

To determine which location the call arrived from, T-Server checks the call type and checks whether the call has the `NetworkCallID`, `ANI`, or `OtherDN` attribute:

- If the call is not an inbound call, the request for call data is sent to all remote locations *except* those whose Switch Access Code has the ISCC Call Overflow Parameters property set to `inbound-only=true`.
- If the call of any type has the `NetworkCallID` attribute, the destination T-Server sends a request for call data to the remote locations of the same switch type as the destination location if their Switch Access Codes have the ISCC Call Overflow Parameters property set to `match-callid`.
- If the call of any type has the `ANI` or `OtherDN` attribute, the request for call data is sent to remote locations whose Switch Access Code has the ISCC Call Overflow Parameters property set to `match-ani`.

### Step 5

The destination T-Server waits (suspending events related to that call) for the call data from the remote T-Server for the time interval specified in the `cof-ci-req-tout` configuration option. Within this interval, T-Server holds any events related to the call. In addition, the `cof-ci-defer-delete` option on the origination T-Server establishes the time interval only after which that T-Server deletes the call information. And the `cof-ci-wait-all`, if set to true, forces the origination T-Server to wait for responses related to possible call overflow situations before updating call data.

### Step 6

The T-Server at the location from which the call was transferred or overflowed sends call data to the requesting T-Server.



### Step 7

If a positive response to the call-data request is received, T-Server updates ConnID, UserData, and CallHistory, distributes all suspended events related to that call and deletes all information regarding the transaction (Step 9).

### Step 8

If the timeout set by `cof-ci-req-tout` expires, T-Server distributes all suspended events, and starts the timeout specified by the `cof-rci-tout` option. If a positive response is received within the timeout set by `cof-rci-tout`, T-Server updates the ConnID, UserData, and CallHistory and notifies client applications by distributing `EventPartyChanged`.

### Step 9

T-Server deletes all information regarding the transaction when one of these results occurs:

- The first positive response to the call-data request is received.
- Negative responses from all queried locations are received.
- The timeout specified by the `cof-rci-tout` option expires.

---

## Number Translation Feature

The Number Translation feature of T-Server extends the ISCC/COF and direct-ani transaction type functions to provide more flexibility for handling calls distributed across multiple sites. T-Server translates the input string (ANI string) into a number defined by the translation rules. This processing is called number translation. T-Servers participating in handling calls at multiple sites exchange the translated numbers in order to match the call instances.

The translation process involves two algorithms, one for rule selection and the other for the actual translation. Through the first algorithm, T-Server selects a rule that will be used for number translation. Through the second algorithm, T-Server translates the number according to the selected rule definition. See “Number Translation Rules” on [page 74](#) for more information on configuring rules for your environment.

Number translation occurs as follows:

1. The switch reports a number, typically via `AttributeANI`.
2. T-Server evaluates all configured inbound rules to determine which one is the best fit for the received number. The best fit is determined by comparing the length of, and the specific digits in, the input number with the inbound pattern of each configured rule. See “Rule Examples” on [page 79](#) for specific examples.
3. T-Server translates the number according to the selected rule.

To enable T-Server to translate numbers, you must perform specific configuration tasks that are associated with translation. See “Configuring Number Translation” on [page 80](#).

## Number Translation Rules

T-Server uses the number translation rules that you define in the T-Server configuration object in two ways:

- **Rule selection**—To determine which rule should be used for number translation
- **Number translation**—To transform the number according to the selected rule

### Using ABNF for Rules

The number translation rules must conform to the following syntax, represented using Augmented Backus-Naur Form (ABNF) notation. For more information about ABNF, see RFC 2234, “Augmented BNF for Syntax Specifications: ABNF.”

---

Note: The notations are explained starting at the highest level, with the name of a component notation and a basic definition of each component that comprises it. Some components require more detailed definitions, which are included later in this section.

---

#### Common Syntax Notations

Syntax notations common to many of these rules include:

- \*—Indicates that 0 to an infinite number of the item following this symbol are acceptable.
- 1\*—Indicates that one repetition is required. For T-Server, only one instance is acceptable.
- /—Indicates that any of the items mentioned, or a combination of those items, is acceptable.

#### Component Notations

Component notations include:

- `di al i ng-pl an = *di al i ng-pl an-rul e`  
where:
  - `di al i ng-pl an-rul e` represents the name of the rule. Each rule must have a unique name. There are no other naming restrictions, and you do not need to model your names according to the examples in this chapter.

The rules are represented as separate options in the configuration. Also, fields from a rule are represented as parameters in a single option string.

- rule = [name] in-pattern [out-pattern]

where:

- [name] is the name for the rule option, for example, rule-01. In ABNF notation, the brackets [] indicate that 0 or 1 instance of the component is required. However, for T-Server, a name is required.
- in-pattern is the part of the rule to which T-Server looks when attempting to match the input number.
- [out-pattern] is the part of the rule that instructs T-Server on how to translate the input number into the required format. The brackets indicate that either 0 or 1 instance is required. You must create an out-pattern for number translation rules.

- name = \*( ALPHA / DIGIT / "-" )

where:

- ALPHA indicates that letters can be used in the name for the rule option.
- DIGIT indicates that numbers can be used in the name for the rule option.
- "-" indicates that a dash (-) can also be used in the option name, for example, rule-01.

- in-pattern = 1\*(digit-part / abstract-group)

where:

- digit-part represents numbers. T-Server uses this when selecting the most appropriate rule from the entire dialing plan.
- abstract-group represents one or more letters with each letter representing one or more numbers. T-Server uses this when transforming a dial string.

For example, [1-9] is the digit-part (representing a range of numbers) and ABBB is the abstract-group for in-pattern=[1-9]ABBB.

- out-pattern = 1\*(symbol-part / group-identifier) \*param-part

where:

- symbol-part represents digits, symbols, or a combination. Symbols are rarely used. They are not used in the United States.
- group-identifier are letters that represent groups of numbers. A letter in the out-pattern represents one or more digits, based on the number of times the letter is used in the in-pattern.
- \*param-part represents an additional parameter, such as phone-context. Reminder: an asterisk means that 0 to an infinite number of these are acceptable.

For example, in rule-04; in-pattern=1AAABBBCCC; out-pattern=91ABC, 91 is the symbol-part; A, B, and C are group-identifiers in the out-pattern,

each representing three digits, since there are three instances of each in the in-pattern.

---

Note: Prefix an out-pattern value with a plus sign (+) for the inbound rule when the output must be in a global form (E.164 format).

---

- digit-part = digits / range / sequence  
where:
  - digits are numbers 0 through 9.
  - range is a series of digits, for example, 1-3.
  - sequence is a set of digits.
- symbol-part = digits / symbols  
where:
  - digits are numbers 0 through 9.
  - symbols include such characters as +, -, and so on.
- range = "[" digits "-" digits "]" group-identifier  
where:
  - "[" digits "-" digits "]" represents the numeric range, for example, [1-2].
  - group-identifier represents the group to which the number range is applied.  
For example, [1-2] applies to group identifier A for in-pattern=[1-2]ABBB. When T-Server evaluates the rule to determine if it matches the number, it examines whether the first digit of the number, identified as group-identifier A, is 1 or 2.
- sequence = "[" 1\*(digits [", "] ) "]" group-identifier  
where:
  - "[" 1\*(digits [", "] ) "]" represents a sequence of digits, separated by commas, and bracketed. T-Server requires that each digit set have the same number of digits. For example, in [415, 650] the sets have three digits.
  - group-identifier represents the group to which the number sequence is applied.  
For example, in in-pattern=1[415, 650]A\*B, [415, 650] applies to group-identifier A. When T-Server evaluates the rule to determine if it matches the number, it examines whether the three digits (group-identifier A) following the 1 in the number are 415 or 650.
- abstract-group = fixed-length-group / flexible-length-group / entity  
where:

- `fixed-length-group` specifies a group composed of a specific number of digits and determined by how many times the group identifier is included in the `in-pattern`. For example, for `in-pattern=1AAABBBCCCC`, there are three digits in group A and B but four in group C.

When you create an `out-pattern`, you include the group identifier only once because the `in-pattern` tells T-Server how many digits belong in that group. For example, `rule-04` (see [page 79](#)) is  
`in-pattern=1AAABBBCCCC; out-pattern=91ABC.`

- `flexible-length-group` specifies a group composed of 0 or more digits in the group represented by the `group-identifier`. For example, in `in-pattern=1[415,650]A*B`, `*B` represents the flexible length group containing the remaining digits in the number.
- `entity` represents digits defined for a specific purpose, for example, country code.

The component `abstract-group` is used only for the `in-pattern`.

- `fixed-length-group = 1*group-identifier`  
See the earlier explanation under `abstract-group`.
- `flexible-length-group = "*" group-identifier`  
See the earlier explanation under `abstract-group`.
- `entity = "#" entity-identifier group-identifier`

where:

- `"#"` indicates the start of a Country Code `entity-identifier`.
- `entity-identifier` must be the letter C which represents Country Code when preceded by a pound symbol (#). Any other letter following the # causes an error.
- `group-identifier` represents the Country Code group when preceded by #C.

The `entity` component is a special group that assumes some kind of predefined processing, such as the Country Code detection.

- `param-part = ";" param-name "=" param-value`

where:

- `;"` is a required separator element.
- `param-name` is the name of the parameter.
- `"="` is the next required element.
- `param-value` represents the value for `param-name`.

- `param-name = "ext" / "phone-context" / "dn"`

where:

- `"ext"` refers to extension.
- `"phone-context"` represents the value of the `phone-context` option configured on the switch.
- `"dn"` represents the directory number.

- `param-value = 1*ANYSYMBOL`  
where:
  - `ANYSYMBOL` represents any number, letter, or symbol with no restrictions.
- `group-identifier = ALPHA`
- `entity-identifier = ALPHA`
- `digits = 1*DIGIT`
- `symbols = 1*("-" / "+" / ")" / "(" / ".")`

## Recommendations for Rule Configuration

The configuration of rules for inbound numbers usually depends on the settings in the corresponding PBX. These settings often define the form in which the PBX notifies its client applications about the number from which an inbound call is coming.

As a general guideline, configure rules that define how to process calls from:

- Internal numbers.
- External numbers within the same local dialing area.
- External numbers within the same country.
- International numbers.

Rules for inbound numbers, typically for North American locations, might look like this:

1. Two rules to transform internal numbers (extensions):  
`name=rule-01; in-pattern=[1-9]ABBB; out-pattern=AB`  
`name=rule-02; in-pattern=[1-9]ABBBB; out-pattern=AB`
2. A rule to transform local area code numbers (in 333-1234 format in this example):  
`name=rule-03; in-pattern=[1-9]ABBBBBB; out-pattern=+1222AB`
3. A rule to transform U.S. numbers (in +1(222)333-4444 format):  
`name=rule-04; in-pattern=1AAAAAAAAA; out-pattern=+1A`
4. A rule to transform U.S. numbers without the +1 prefix (in (222)333-4444 format):  
`name=rule-05; in-pattern=[2-9]ABBBBBBBB; out-pattern=+1AB`
5. A rule to transform U.S. numbers with an outside prefix (in 9 +1(222)333-4444 format):  
`name=rule-06; in-pattern=91AAAAAAAAA; out-pattern=+1A`
6. A rule to transform international numbers with an IDD (international dialing digits) prefix (in 011 +44(111)222-3333 format):  
`name=rule-07; in-pattern=011*A; out-pattern=+A`

7. A rule to transform international numbers without an IDD prefix (in +44(111)222-3333 format):

```
name=rule-08; in-pattern=[2-9]A*B; out-pattern=+AB
```

## Rule Examples

This section provides examples of six rules that are configured as options in the Genesys Configuration Database. It also provides examples of how T-Server applies rules to various input numbers.

### Rules

- rule-01** in-pattern=[1-8]ABBB; out-pattern=AB  
**rule-02** in-pattern=AAAA; out-pattern=A  
**rule-03** in-pattern=1[415, 650]A\*B; out-pattern=B  
**rule-04** in-pattern=1AAABBBCCCC; out-pattern=91ABC  
**rule-05** in-pattern=\*A913BBBB; out-pattern=80407913B  
**rule-06** in-pattern=011#CA\*B; out-pattern=9011AB

### Examples

Here are examples of how T-Server applies configured above rules to various input numbers.

- Example 1** T-Server receives input number 2326.  
 As a result of the rule selection process, T-Server determines that the matching rule is rule-01:  

```
name=rule-01; in-pattern=[1-8]ABBB; out-pattern=AB
```

 The matching count for this rule is 1, because Group A matches the digit 2.  
 As a result of the parsing process, T-Server detects two groups: Group A = 2 and Group B = 326.  
 T-Server formats the output string as 2326.
- Example 2** T-Server receives input number 9122.  
 As a result of the rule selection process, T-Server determines that the matching rule is rule-02:  

```
name=rule-02; in-pattern=AAAA; out-pattern=A
```

 The matching count for this rule is 0; however, the overall length of the input number matches that of the in-pattern configuration.  
 As a result of the parsing process, T-Server detects one group: Group A = 9122.  
 T-Server formats the output string as 9122.
- Example 3** T-Server receives input number 16503222332.

As a result of the rule selection process, T-Server determines that the matching rule is rule-03:

```
name=rule-03; in-pattern=1[415, 650]A*B; out-pattern=B
```

The matching count for this rule is 4, because the first digit matches and all three digits in Group A match.

As a result of the parsing process, T-Server detects two groups: Group A = 650 and Group B = 3222332.

T-Server formats the output string as 3222332.

**Example 4** T-Server receives input number 19253227676.

As a result of the rule selection process, T-Server determines that the matching rule is rule-04:

```
name=rule-04; in-pattern=1AAABBBCCCC; out-pattern=91ABC
```

The matching count for this rule is 1, because the first digit matches.

As a result of parsing process, T-Server detects three groups: Group A = 925, Group B = 322, and Group C = 7676.

T-Server formats the output string as 919253227676.

**Example 5** T-Server receives input number 4089137676.

As a result of rule selection process, T-Server determines that the matching rule is rule-05:

```
name=rule-05; in-pattern=*A913BBBB; out-pattern=80407913B
```

The matching count for this rule is 3, because three digits match.

As a result of the parsing process, T-Server detects two groups: Group A = 408 and Group B = 7676.

T-Server formats the output string as 804079137676.

**Example 6** T-Server receives input number 011441112223333.

As a result of the rule selection process, T-Server determines that the matching rule is rule-06:

```
name=rule-06; in-pattern=011#CA*B; out-pattern=9011AB
```

The matching count for this rule is 3, because three digits match.

As a result of the parsing process, T-Server detects two groups: Group A = 44 and Group B = 1112223333.

T-Server formats the output string as 9011441112223333.

---

## Procedure: Configuring Number Translation

**Purpose:** To configure the Number Translation feature in T-Server to provide more flexibility for handling calls distributed across multiple sites.



### Overview

- The Number Translation feature becomes active when the ISCC/COF feature and/or the direct-ani transaction type are used.
- This configuration procedure must be completed within the T-Server Application object corresponding to your T-Server.

### Start of procedure

1. Open the T-Server Application's Properties dialog box.
2. Click the Options tab.
3. Create a new section called extrouter or open an existing section with this name.
4. Create a new option called `inbound-translator-<n>`. This option points to another section that describes the translation rules for inbound numbers.
5. In this section, create one configuration option for each rule. Specify the rule name as the option name. The values of these options are the rules for the number translation.

For the option description and its valid values, see Chapter 8, "T-Server Common Configuration Options," on [page 159](#).

6. When you are finished, click Apply.
7. Click OK to save your changes and exit the Properties dialog box.

### End of procedure

---

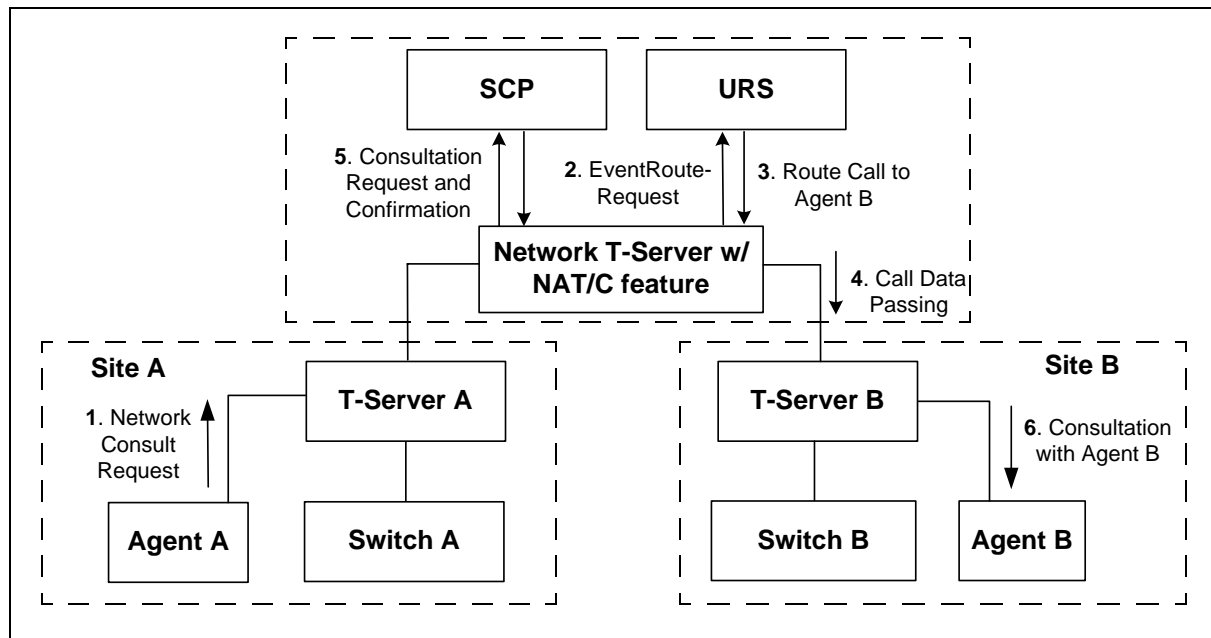
## Network Attended Transfer/ Conference Feature

The Network Attended Transfer/Conference (NAT/C) feature is designed to enable agents working in multi-site contact centers to consult with each other before making call transfers or conferences, regardless of whether both agents work at the same or different sites. It also enables the agent who requests a consultation to maintain his or her conversation with the customer while the system is looking for an available agent and setting up the consultation call.

The NAT/C feature does not rely on the call transfer capabilities of the local switch.

There are two modes in which the network attended transfer/conference can be performed: *direct* and *URS-controlled*. [Figure 9](#) shows the sequence of steps that occur in *URS-controlled* mode, when Agent A, who is handling a customer call, requests a consultation with another agent, and URS (Universal Routing Server) selects Agent B, who is working at another site. The *direct* mode is

similar to the *URS-controlled* mode, with the difference that URS is not involved in the process (Step 2 and Step 3 are omitted).



**Figure 9: Steps in the NAT/C Process in URS-Controlled Mode**

#### Step 1

Agent A makes a request for a consultation with another agent. A `TNetworkConsult` request is relayed to the Network T-Server. Depending on the parameter settings of the `TNetworkConsult` request, the NAT/C feature will operate in either *direct* or *URS-controlled* mode. For more information, see the *Voice Platform SDK 7.6 .NET (or Java) API Reference*.

#### Step 2

(*URS-controlled* mode only.) The Network T-Server sends `EventRouteRequest` to URS.

#### Step 3

(*URS-controlled* mode only.) URS locates an available agent at Site B and instructs the Network T-Server to route the call to Agent B. The Network T-Server confirms the initiation of the network transfer by sending `EventNetworkCallStatus` to T-Server A, which then relays it to Agent A.

#### Step 4

The Network T-Server proceeds to obtain the access number from T-Server B, and passes the call data to T-Server B. (See “ISCC Call Data Transfer Service” on [page 51](#) for details.)

### Step 5

The Network T-Server instructs the Service Control Point (SCP) to initiate a new voice path with Agent B. Once the connection is confirmed, the Network T-Server distributes `EventNetworkCallStatus` to both T-Server A and T-Server B, which then relay it to Agent A and Agent B respectively, to indicate that the consultation call is being established.

The Network T-Server also distributes `EventRouteUsed` to URS to confirm successful routing of the call to the selected agent.

### Step 6

At this point, the customer is on hold, and Agent A is consulting with Agent B. Agent A can do one of the following:

- End the consultation and retrieve the original customer call
- Alternate between Agent B and the customer
- Set up a conference call with Agent B and the customer
- Transfer the customer call to Agent B

---

Note: All T-Servers support NAT/C requests with `AttributeHomeLocation` provided that this attribute identifies a network location that is capable of processing such requests. Refer to the *Network T-Server Deployment Guides* to determine whether a specific Network T-Server can process these requests.

---

---

## Event Propagation Feature

The Event Propagation feature complements the ISCC and ISCC/COF features by distributing updated user data and party-related events to remote T-Servers. This feature is used when a call is being made, transferred, or conferenced to another location, and when, as a result, one or more instances of the call reside at one location while other call instances reside at another location. In this scenario, when a client at one location makes changes to user data, updated user data is passed (*propagated*) to T-Servers at other locations.

The Event Propagation feature consists of User Data update propagation and Party Events propagation.

### User Data Propagation

User data propagation takes place when a client at one location makes changes to user data associated with a call that was made, transferred, conferenced, or routed to other locations. The remote clients involved with the call are notified about the changes with `EventAttachedDataChanged`.

When T-Server receives a local update to user data (that is, when a client of this T-Server has changed the call's user data), T-Server determines if parties at remote locations are involved with the call and, if so, sends (propagates) the updated user data to the T-Servers at remote locations.

When T-Server receives a remote update to user data (that is, when a client of a remote T-Server has changed the call's user data and the remote T-Server has used the Event Propagation feature to send the updated user data), T-Server:

1. Updates the user data of the corresponding local call.
2. Determines if parties at other remote locations are involved with the call and, if so, propagates the updated user data to T-Servers at other remote locations.

The locations to which user data is propagated are selected based on a call distribution topology. That is, the updated user data is passed directly to the location to which a call was sent and to the location from which the call was received, excluding the location from which the update was received.

For example, consider a call made from location A to location B, and then conferenced from location B to location C. The three instances of the call reside at different locations: the first instance is at location A, the second instance is at location B, and the third instance is at location C. The Event Propagation feature is employed in the following scenarios:

- When T-Server at location A receives a local update to user data, it notifies T-Server at location B (to which it sent the call) about changes to the call's user data. Thus, T-Server at location B receives a remote update to user data and, in turn, notifies T-Server at location C (to which it sent the call) about these changes.

Although T-Server at location C receives a remote update to user data, it does not pass the notification to any other T-Servers, because it did not send the call to any other locations. As mentioned earlier, T-Servers at locations B and C update the user data of the corresponding local calls and notify their clients about the changes with `EventAttachedDataChanged`.

- When T-Server at location B receives a local update to user data, it notifies T-Server at location C (to which it sent the call) and T-Server at location A (from which it received the call) about changes to the call's user data. Thus, T-Servers at locations C and A receive a remote update to user data. Because T-Server at location C did not send the call to any other locations, and T-Server at location A originated the call, neither of these T-Servers passes the notification to any other T-Servers. T-Servers at locations C and A update the user data of the corresponding local calls and notify their clients about the changes with `EventAttachedDataChanged`.
- When T-Server at location C receives a local update to user data, it notifies T-Server at location B (from which it received the call) about changes to the call's user data. Thus, T-Server at location B receives a remote update to user data and, in turn, notifies T-Server at location A (from which it received the call) about these changes.

Although T-Server at location A receives a remote update to user data, it does not pass the notification to any other T-Servers, because it originated the call. T-Servers at locations B and A update the user data of the corresponding local calls and notify their clients about the changes with `EventAttachedDataChanged`.

When a call is distributed between location A and location C using location B, and is then deleted on location B, propagation between locations A and C still occurs through the transit node at location B.

## Party Events Propagation

Party events propagation takes place when a transfer or a conference is completed for a call that was made to or from one or more remote locations, or when a conference party is removed from the conference.

In these cases, the Event Propagation feature distributes party events, such as `EventPartyChanged`, `EventPartyAdded`, and `EventPartyDeleted`, to remote locations involved with the call, according to appropriate call model scenarios.

For example, consider a call made from DN 1 to DN 2 on location A. A `TransferConference` request is then issued for DN 2 to transfer the call to external DN 3 on location B. That transfer is made by means of ISCC routing. When this conference is completed on location A, the Event Propagation feature sends `EventPartyChanged` to location B and distributes this event to involved client applications that are connected to location B and registered for DN 3. After that, if a party of the conference is removed from the conference (for example, a party on DN 2), the Event Propagation feature sends `EventPartyDeleted` to location B and distributes this event to client applications registered for DN 3.

---

### Warnings!

- The `OtherDN` and `ThirdPartyDN` attributes might not be present in the events distributed via the Event Propagation feature.
  - The Event Propagation feature will not work properly with installations that use switch partitioning.
- 

If a call involved in the propagation has no local parties but has two or more remote parties, the party events propagation is processed in the same manner as the propagation of user data updates.

For a complete event flow in such scenarios, refer to the *Genesys 7 Events and Models Reference Manual*.

## Basic and Advanced Configuration

The basic Event Propagation feature configuration includes the setting of specific configuration options at the T-Server Application level. The advanced feature configuration allows you to customize the feature at the Switch level.

When determining whether to notify other T-Servers of changes to user data, or to distribute party events, T-Server checks:

1. Call topology (what location a call came from and to what location the call was then transferred or conferenced).
2. Outbound parameters of the Switch this T-Server relates to (whether propagation parameters are configured for the access codes this switch uses to reach the switch at the location a call came from and the switch at the location to which the call was then transferred or conferenced).

---

**Warning!** The direction of user-data or party-events propagation does not necessarily match the direction of call distribution. Therefore, the access code used to deliver the call can differ from the access code used for the purpose of Event Propagation.

---

If one of the T-Servers along the call distribution path has the Event Propagation feature disabled, that T-Server does not distribute events to remote locations.

---

## **Procedure:**

### **Activating Event Propagation: basic configuration**

**Purpose:** To activate the Event Propagation feature for User Data updates and call-party-associated events (Party Events) distribution.

#### Start of procedure

1. Open the T-Server Application's Properties dialog box.
2. Click the Options tab.
3. Open the extrouter section.
4. Set the [event-propagation](#) option to the `list` value.  
This setting enables User Data propagation. If you need to enable Party Events propagation, perform Step 5.
5. Set the [use-data-from](#) option to the current value.  
This setting enables Party Events propagation.  
For the option description and its valid values, see Chapter 8, "T-Server Common Configuration Options," on [page 159](#).
6. When you are finished, click Apply.
7. Click OK to save your changes and exit the Properties dialog box.

#### End of procedure

### Next Steps

- For advanced feature configuration, do the following procedure:  
[Modifying Event Propagation: advanced configuration, page 87](#)

---

## Procedure: Modifying Event Propagation: advanced configuration

**Purpose:** To modify access codes for advanced Event Propagation configuration.

### Prerequisites

- [Activating Event Propagation: basic configuration, page 86](#)

### Overview

You can set Event Propagation parameters using:

- The Default Access Code properties of the Switch that receives an ISCC-routed call (the destination switch).
- The Access Code properties of the Switch that passes an ISCC-routed call (the origination switch).

If you do not set up Event Propagation parameters for a given Access Code, T-Server uses corresponding settings configured for the Default Access Code of the destination switch.

The procedures for modifying Default Access Codes and Access Codes are very similar to each other.

### Start of procedure

1. Among configured Switches, select the Switch that the configured T-Server relates to.
2. Open the Switch's Properties dialog box and click either the Default Access Codes tab or the Access Codes tab.
3. Select a configured Default Access Code or configured Access Code and click Edit.

---

**Note:** If no Default Access Code is configured, see [page 91](#) for instructions. If no Access Codes are configured, see [page 92](#) for instructions.

---

4. In the Switch Access Code Properties dialog box that opens, specify a value for the ISCC Protocol Parameters field as follows:

- To enable distribution of both user data associated with the call and call-party–associated events<sup>1</sup>, type:  
propagate=yes  
which is the default value.
  - To enable distribution of user data associated with the call and disable distribution of call-party–associated events, type:  
propagate=udata
  - To disable distribution of user data associated with the call and enable distribution of call-party–associated events, type:  
propagate=party
  - To disable distribution of both user data associated with the call and call-party–associated events, type:  
propagate=no
5. Click OK to save configuration updates and close the Switch Access Code Properties dialog box.
  6. Click Apply and OK to save configuration updates and close the Switch Properties dialog box.

End of procedure

---

## ISCC Transaction Monitoring Feature

This feature allows T-Server clients to monitor ISCC transactions that occur during the call data transfer between T-Servers in a multi-site environment.

In order to be able to monitor ISCC messaging, a T-Server client must subscribe to the ISCC Transaction Monitoring. Once a subscription request is confirmed, a client will receive updates about all multi-site operations of this T-Server.

The TTransactionMonitoring request is used to instruct T-Server to start, stop, or modify a client's subscription to Transaction Monitoring feature notifications by setting the TSubscriptionOperationType parameter to SubscriptionStart, SubscriptionStop, or SubscriptionModify respectively. The transaction status is reported in EventTransactionStatus messages to the subscribed clients.

To determine whether the Transaction Monitoring feature is supported by a specific T-Server, a T-Server client may query T-Server's capabilities. See *Genesys 7 Events and Models Reference Manual* and *Voice Platform SDK 7.6 .NET (or Java) API Reference* for more information about support of this feature.

---

1. The following are call-party–associated events: EventPartyChanged, EventPartyDeleted, and EventPartyAdded.



---

# Configuring Multi-Site Support

Prior to configuring T-Server to support multi-site operation, you must read the “Licensing Requirements” on [page 35](#), as well as previous sections of this chapter on multi-site deployment. In particular, Table 3 on [page 65](#) shows which transaction types are supported by a specific T-Server, while Table 4 on [page 70](#) shows whether your T-Server supports the NetworkCallID attribute for the ISCC/COF feature. Use this information as you follow the instructions in this chapter.

---

**Note:** Before attempting to configure a multi-site environment, Genesys recommends that you plan the changes you want to make to your existing contact centers. You should then gather the configuration information you will need (such as the names of each T-Server application, port assignments, switch names, and so on), and use Configuration Manager to create and partially configure each T-Server object. Review multi-site option values in the “Multi-Site Support Section” on [page 168](#) and determine what these values need to be, based on your network topology.

---

For T-Server to support multi-site operation, you must create and configure three types of objects in the Configuration Layer:

1. Applications
2. Switches, including Access Codes
3. DNSs

You must configure these objects for origination and destination locations. Multi-site support features activate automatically at T-Server startup. See “DNSs” on [page 96](#) for details.

## Applications

Ensure that T-Server Application objects, and their corresponding Host objects, exist and are configured for origination and destination locations.

Once you’ve done that, use Configuration Manager to add this configuration to a T-Server Application.

---

### **Procedure:** **Configuring T-Server Applications**

**Purpose:** To configure T-Server Application objects for multi-site operation support.

### Start of procedure

1. Open the T-Server Application's Properties dialog box.
2. Click the Connections tab and click Add to add a connection to the appropriate T-Server. The Connection Info Properties dialog box displays.
3. Use the Browse button to search for the T-Server you want to connect to, and fill in the following values:
  - Port ID
  - Connection Protocol
  - Local Timeout
  - Remote Timeout
  - Trace Mode
4. Click the Options tab. Create a new section called extrouter or open an existing section with this name.

---

Note: If you do not create the extrouter section, T-Server works according to the default values of the corresponding configuration options.

---

5. Open the extrouter section. Configure the options used for multi-site support.

---

Note: For a list of options and valid values, see “Multi-Site Support Section” on [page 168](#), in the “T-Server Common Configuration Options” chapter in Part Two of this document.

---

6. When you are finished, click Apply.
7. Repeat this procedure for all T-Servers for origination and destination locations that are used for multi-site operations.

### End of procedure

### Next Steps

- See [“Switches and Access Codes.”](#)

## Switches and Access Codes

Ensure that Switching Office and Switch objects are configured for both origination and destination locations.

You configure Access Codes to a destination switch in the origination Switch's Properties dialog box. The only exception is the Default Access Code, which is configured at the destination Switch's Properties dialog box.

You can configure two types of switch Access Codes in the Switch's Properties dialog box:

- A Default Access Code (for inbound calls)—Specifies the access code that other switches can use to access this switch when they originate a multi-site transaction.
- An Access Code (for outbound calls)—Specifies the access code that this switch can use when it originates a multi-site transaction to access another switch.

When the origination T-Server processes a multi-site transaction, it looks for an access code to the destination switch. First, T-Server checks the Access Code of the origination Switch:

- If an access code to the destination switch is configured with the target type Target ISCC and with any transaction type except Forbidden, T-Server uses this access code to dial the destination switch.
- If the access code to the destination switch is not configured on the Access Code tab of the origination switch, the origination T-Server checks the Default Access Code tab of the destination switch. If an access code is configured there with the target type Target ISCC and with any transaction type except Forbidden, T-Server uses this access code to dial the destination switch.
- If no access code with the required properties is found, T-Server rejects the transaction.

---

Note: When migrating from previous releases of T-Servers to 7.6, or when using T-Servers of different releases (including 7.6) in the same environment, see “Compatibility Notes” on [page 95](#).

---

---

## **Procedure:** **Configuring Default Access Codes**

**Purpose:** To configure the Default Access Codes (one per Switch object) to be used by other switches to access this switch when they originate a multi-site transaction.

### **Prerequisites**

- Ensure that Switching Office and Switch objects are configured for both origination and destination locations.

### Start of procedure

1. Among configured Switches, select the Switch that the configured T-Server relates to.
2. Open the Switch Properties dialog box and click the Default Access Codes tab.
3. Click Add to open the Access Code Properties dialog box.
4. In the Code field, specify the access code used by remote switches to reach a DN at this switch. An access code is used as a prefix to the remote switch numbers.

---

Note: If no prefix is needed to dial to the configured switch, you can leave the Code field blank.

---

5. In the Target Type field, select Target ISCC.
6. In the Route Type field, select a value corresponding to the transaction type you want to use (given that it is supported for your switch type).
7. When you are finished, click Apply.

### End of procedure

### Next Steps

- See [“Configuring Access Codes.”](#)

---

## Procedure: Configuring Access Codes

**Purpose:** To configure the Access Codes (one or more per Switch object) that this switch can use when it originates a multi-site transaction to access another switch.

### Prerequisites

- Ensure that Switching Office and Switch objects are configured for both origination and destination locations.

### Start of procedure

1. Among configured Switches, select the Switch that the configured T-Server relates to.
2. Open the Switch Properties dialog box and click the Access Codes tab.
3. Click Add to open the Access Code Properties dialog box.

4. In the `Switch` field, specify the switch that this switch can reach using this access code. Use the `Browse` button to locate the remote switch.
5. In the `Code` field, specify the access code used to reach a DN at the remote switch from this switch. An access code is used as a prefix to the remote switch numbers.

---

Note: If no prefix is needed to dial from one switch to another, you can leave the `Code` field blank.

---

6. In the `Target Type` field, select `Target ISCC`.

When you select `Target ISCC` as your target type, the `Properties` dialog box changes its lower pane to the `Sources` pane. It is here that you enter the extended parameters for your access codes, by specifying the `ISCC Protocol` and `ISCC Call Overflow Parameters`.

To set these parameters, locate the two drop-down boxes that appear below the `Target Type` field in the `Sources` pane of that `Properties` dialog box.

- a. In the `ISCC Protocol Parameters` drop-down box, enter the appropriate `ISCC Protocol` parameter, as a comma-separated list of one or more of the following items shown in [Table 5](#):

**Table 5: Target Type: ISCC Protocol Parameters**

ISCC Protocol Parameters	Description
<code>dnis-tail=&lt;number-of-digits&gt;</code>	Where <code>&lt;number-of-digits&gt;</code> is the number of significant DNIS digits (last digits) used for call matching 0 (zero) matches all digits.
<code>propagate=&lt;yes, udata, party, no&gt;</code>	Default is <code>yes</code> . For more information, see “ <a href="#">Modifying Event Propagation: advanced configuration</a> ” on <a href="#">page 87</a> .
<code>direct-network-callid=&lt;&gt;</code>	For configuration information, see Part Two of this document. (Use <a href="#">Table 3</a> on <a href="#">page 65</a> to determine if your T-Server supports the <code>direct-network-callid</code> transaction type.)

- b. In the `ISCC Call Overflow Parameters` drop-down box, enter call overflow parameters, as a comma-separated list of one or more of the following items shown in [Table 6](#):

**Table 6: Target Type: ISCC Call Overflow Parameters**

ISCC Call Overflow Parameters	Description
match-callid	Matches calls using network Call ID.
match-ani	Matches calls using ANI.
inbound-only=<boolean>	Default is true. Setting inbound-only to true disables COF on consultation and outbound calls.

- In the Route Type field, select a value corresponding to the transaction type you want to use (given that it is supported for your switch type). [Table 7](#) contains cross-reference information on transaction types that the Configuration Layer and T-Server use.

**Table 7: Route Type and ISCC Transaction Type Cross-Reference**

Route Type Field Value	ISCC Transaction Type
Default	The first value from the list of values specified in the cast-type option for the T-Server at the destination site
Direct	direct-callid
Direct ANI	direct-ani
Direct Digits	direct-digits
Direct DNIS and ANI	Reserved
Direct Network Call ID	direct-network-callid
Direct No Token	direct-notoken
Direct UII	direct-uu
DNIS Pooling	dni s-pooling
Forbidden	External routing to this destination is not allowed
ISCC defined protocol	Reserved
PullBack	pullback

**Table 7: Route Type and ISCC Transaction Type Cross-Reference (Continued)**

Route Type Field Value	ISCC Transaction Type
Re-Route	reroute
Route	route

8. When you are finished, click Apply.

End of procedure

Next Steps

- After configuring a switch for multi-site support, proceed with the configuration of DNs assigned to this switch.

## Compatibility Notes

When migrating from previous releases of T-Servers to 7.6, or when using T-Servers of different releases (including 7.6) in the same environment, keep in mind the following compatibility issues:

- The Target External Routing Point value of the Target Type field is obsolete and provided only for backward compatibility with T-Servers of releases 5.1 and 6.0. When two access codes for the same switch are configured, one with the Target ISCC target type and the other with the Target External Routing Point target type, T-Servers of releases 7.x, 6.5, and 6.1:
  - Use the Target ISCC access code for transactions with T-Servers of releases 7.x, 6.5, and 6.1.
  - Use the Target External Routing Point access code for transactions with T-Servers of releases 5.1 and 6.0.

When the only access code configured for a switch has the Target External Routing Point target type, T-Server uses this access code for all transactions.

- When the Target External Routing Point value of the Target Type field is configured, you must set the Route Type field to one of the following:
  - Default to enable the route transaction type
  - Label to enable the direct-ani transaction type
  - Direct to enable the direct transaction type

---

Note: The direct transaction type in releases 5.1 and 6.0 corresponds to the direct-callid transaction type in releases 6.1, 6.5, and 7.x.

---

- UseExtProtocol to enable the direct-uuu transaction type

- PostFeature to enable the reroute transaction type

These values are fully compatible with the transaction types supported in T-Server release 5.1.

- For successful multi-site operations between any two locations served by release 5.1 T-Servers, identical Route Type values must be set in the Switch's Access Code Properties dialog boxes for both the origination and destination switches.

## DNs

Use the procedures from this section to configure access resources for various transaction types.

---

### **Procedure:** **Configuring access resources for the route transaction type**

**Purpose:** To configure dedicated DN's required for the route transaction type.

#### Prerequisites

- Ensure that Switching Office and Switch objects are configured for both origination and destination locations.

#### Start of procedure

1. Under a configured Switch, select the DN's folder. From the main menu, select File > New > DN to create a new DN object.
2. On the General tab of the DN's Properties dialog box, specify the number of the configured DN as the value of the Number field. This value must correspond to the Routing Point number on the switch.
3. Select External Routing Point as the value of the Type field.
4. If a dialable number for that Routing Point is different from its DN name, specify the number in the Association field.
5. Click the Access Numbers tab. Click Add and specify these access number parameters:
  - Origination switch.
  - Access number that must be dialed to reach this DN from the origination switch.

In determining an access number for the Routing Point, T-Server composes it of the values of the following properties (in the order listed):

- a. Access number (if specified).



- b. Switch access code from the switch of the origination party to the switch to which the Routing Point belongs, concatenated with its Association (if the Association value is specified).
- c. Switch access code from the switch of the origination party to the switch to which the Routing Point belongs, concatenated with the number for the DN.
- d. Default access code of the switch to which the Routing Point belongs, concatenated with its Association (if the Association value is specified).
- e. Default access code of the switch to which the Routing Point belongs, concatenated with the number for the DN.

---

Note: If option `use-implicit-access-numbers` is set to true, the access number composed of switch access code and DN can be used for external transfers of calls originating at switches for which an access number is not specified.

---

6. When you are finished, click Apply.

End of procedure

---

### **Procedure:**

## **Configuring access resources for the dnis-pool transaction type**

Purpose: To configure dedicated DNs required for the dnis-pool transaction type.

Start of procedure

1. Under a configured Switch, select the DNs folder. From the main menu, select File > New > DN to create a new DN object.
2. On the General tab of the DN's Properties dialog box, specify the number of the configured DN as the value of the Number field. This value must be a dialable number on the switch.
3. Select Access Resource as the Type field and type dnis as the value of the Resource Type field on the Advanced tab.
4. Click the Access Numbers tab. Click Add and specify these Access Number parameters:
  - Origination switch.

- Access number that must be dialed to reach this DN from the origination switch.

An access number for the access resource is determined in the same manner as for the route access resource.

5. When you are finished, click Apply.

End of procedure

---

## **Procedure:** **Configuring access resources for direct-\* transaction types**

### Overview

You can use any configured DN as an access resource for the direct-\* transaction types. (The \* symbol stands for any of the following: callid, uui, notoken, ani, or digi ts.)

You can select the Use Override check box on the Advanced tab to indicate whether the override value should be used instead of the number value to dial to the DN. You must specify this value if the DN has a different DN name and dialable number. In fact, this value is required for T-Servers for some switch types—for example, Aspect ACD, Nortel Communication Server 2000/2100, and Spectrum.

---

## **Procedure:** **Configuring access resources for ISCC/COF**

**Purpose:** To configure dedicated DNs required for the ISCC/COF feature.

### Start of procedure

---

**Note:** Use Table 4 on [page 70](#) to determine if your T-Server supports the ISCC/COF feature.

---

1. Under a configured Switch, select the DNs folder. From the main menu, select File > New > DN to create a new DN object.

---

**Note:** The number of the access resource must match the name of a DN configured on the switch (usually, an ACD Queue) so that T-Server can determine if the calls arriving to this DN are overflowed calls.

---

2. On the **General** tab of the **DN Properties** dialog box, specify the number of the configured DN as the value for the **Number** field.
3. Select **Access Resource** as the value for the **Type** field.
4. On the **Advanced** tab, type **cof-in** or **cof-not-in** as the value for the **Resource Type** field.

---

**Note:** Calls coming to DN's with the **cof-not-in** value for the **Resource Type** are never considered to be overflowed.

---

5. When you are finished, click **Apply**.

End of procedure

---

### **Procedure:** **Configuring access resources for non-unique ANI**

**Purpose:** To configure dedicated DN's required for the non-unique-ani resource type.

The non-unique-ani resource type is used to block direct-ani and COF/ani from relaying on ANI when it matches configured/enabled resource digits. Using non-unique-ani, T-Server checks every ANI against a list of non-unique-ani resources.

Start of procedure

1. Under a configured **Switch**, select the **DNS** folder. From the main menu, select **File > New > DN** to create a new DN object.
2. On the **General** tab of the **DN Properties** dialog box, specify the ANI digits that need to be excluded from normal processing.
3. Select **Access Resource** as the value for the **Type** field.
4. On the **Advanced** tab, specify the **Resource Type** field as **non-unique-ani**.
5. When you are finished, click **Apply**.

End of procedure

---

### **Procedure:** **Modifying DN's for isolated switch partitioning**

**Purpose:** To modify DN's that belong to a particular partition where switch partitioning is used.

This configuration instructs T-Server to select an External Routing Point that has the same partition as the requested destination DN.

---

Note: When a target DN is not configured or has no configured partition name, T-Server allocates a DN of the External Routing Point type that belongs to any partition.

---

#### Start of procedure

1. Under a Switch object, select the DNs folder.
2. Open the Properties dialog box of a particular DN.
3. Click the Annex tab.
4. Create a new section named TServer.
5. Within that section, create a new option named epn. Set the option value to the partition name to which the DN belongs.
6. Repeat Steps 1–5 for all DNs, including DNs of the External Routing Point type, that belong to the same switch partition.
7. When you are finished, click Apply.

#### End of procedure

## Configuration Examples

This section provides two configuration examples and describes how the configuration settings affect T-Server's behavior.

### Multiple Transaction Types

This example demonstrates the difference in how ISCC directs a call when you specify two different transaction types (route and direct-ani).

In this example, you configure an origination and a destination switch for as described in “Switches and Access Codes” on [page 90](#).

1. Among configured Switches, select the origination Switch.
2. Open the Switch Properties dialog box and click the Default Access Codes tab.
3. Click Add to open the Access Code Properties dialog box.
4. Set the Access Code field to 9.
5. When you are finished, click Apply.
6. Among configured Switches, select the destination Switch.
7. Under the destination Switch, configure a DN as described in “Configuring access resources for the route transaction type” on [page 96](#).

8. Set the DN Number field to 5001234567.
9. Click the Advanced tab of this DN's Properties dialog box.
10. Select the Use Override check box and enter 1234567 in the Use Override field.
11. When you are finished, click Apply or Save.
12. Use a T-Server client application to register for this new DN with the destination T-Server and, therefore, with the switch.
13. Request to route a call from any DN at the origination switch to the destination DN you have just configured:
  - If you are using the route ISCC transaction type, the client requests that T-Server deliver a call to a destination location using the DN number 5001234567. ISCC requests that the switch dial one of the external routing points at the destination location, using the value either of the Access Number field or of the Access Code field, which is 9, concatenated with the external routing point at the destination location. The call is routed to the DN number 5001234567.
  - If you are using the direct-ani ISCC transaction type, the client requests that T-Server deliver a call to a destination location using the DN number 1234567, which is the Use Override value. ISCC requests that the switch dial 91234567, which is a combination of the Switch Access Code value and the Use Override value. The destination T-Server is waiting for the call to directly arrive at DN number 5001234567.

## Call Overflow Methods

This section demonstrates how to indicate which overflow methods a switch supports.

In this example, for T-Server to use ANI/OtherDN matching in call overflow and manual transfer scenarios, set the ISCC Call Overflow Parameters to:

```
match-ani, inbound-only=true
```

when configuring Switch Access Codes as described on [page 92](#).

With this setting, the switch's location is queried for call data each time the destination T-Server receives an inbound call with the ANI or OtherDN attribute.

For T-Server to use NetworkCallID matching in call overflow and manual transfer scenarios, set the ISCC Call Overflow Parameters to (for example):

```
match-callid, inbound-only=false
```

when configuring Switch Access Codes as described on [page 92](#).

With this setting, the switch's location is queried for call data each time the destination T-Server receives a call of any type (including inbound) with the NetworkCallID attribute.

---

## Next Steps

Continue with Chapter 4, “Start and Stop T-Server Components,” on [page 103](#) to test your configuration and installation.



## Chapter

# 4

## Start and Stop T-Server Components

This chapter describes methods for stopping and starting T-Server, focusing on manual startup for T-Server and HA Proxy for all switches. It includes these sections:

- [Command-Line Parameters, page 103](#)
- [Starting and Stopping with the Management Layer, page 105](#)
- [Starting with Startup Files, page 106](#)
- [Starting Manually, page 107](#)
- [Verifying Successful Startup, page 112](#)
- [Stopping Manually, page 113](#)
- [Starting and Stopping with Windows Services Manager, page 114](#)
- [Next Steps, page 114](#)

---

## Command-Line Parameters

You can start and stop Framework components using the Management Layer, a startup file, a manual procedure, or the Windows Services Manager.

With all these methods, command-line parameters are usually required for a server application in addition to an executable file name.

Common command-line parameters are as follows:

-host	The name of the host on which Configuration Server is running.
-port	The communication port that client applications must use to connect to Configuration Server.
-app	The exact name of an Application object as configured in the Configuration Database.

-l	<p>The license address. Use for the server applications that check out technical licenses. Can be either of the following:</p> <ul style="list-style-type: none"> <li>• The full path to, and the exact name of, the license file used by an application. For example, <code>-l /opt/ml ink/license/license.dat</code>.</li> <li>• The host name and port of the license server, as specified in the SERVER line of the license file, in the <code>port@host</code> format. For example, <code>-l 7260@cti server</code>.</li> </ul> <p><b>Note:</b> Specifying the License Manager's host and port parameter eliminates the need to store a copy of a license file on all computers running licensed applications.</p>
-V	<p>The version of a Framework component. Note that specifying this parameter does not start an application, but returns its version number instead. You can use either uppercase or lowercase.</p>
-nco X/Y	<p>The Nonstop Operation feature is activated; X exceptions occurring within Y seconds do not cause an application to exit. If the specified number of exceptions is exceeded within the specified number of seconds, the application exits or, if so configured, the Management Layer restarts the application. If the <code>-nco</code> parameter is not specified, the default value of 6 exceptions handled in 10 seconds applies. To disable the Nonstop Operation feature, specify <code>-nco 0</code> when starting the application.</p>
-lmspath	<p>The full path to log messages files (the common file named <code>common.lms</code> and the application-specific file with the extension <code>*.lms</code>) that an application uses to generate log events. This parameter is used when the common and application-specific log message files are located in a directory other than the application's working directory, such as when the application's working directory differs from the directory to which the application is originally installed.</p> <p>Note that if the full path to the executable file is specified in the startup command-line (for instance, <code>c:\gcti\multiserver.exe</code>), the path specified for the executable file is used for locating the <code>*.lms</code> files, and the value of the <code>lmspath</code> parameter is ignored.</p>
- transport-port <port number>	<p>&lt;port number&gt; is the port number that a client will use for its TCP/IP connection to Configuration Server. See the Client-Side Port Definition section in the <i>Genesys 7.6 Security Deployment Guide</i> for more information.</p>
- transport-address <IP address>	<p>&lt;IP address&gt; is the IP address that a client will use for its TCP/IP connection to Configuration Server. See the Client-Side Port Definition section in the <i>Genesys 7.6 Security Deployment Guide</i> for more information.</p>



---

Note: In the command-line examples in this document, angle brackets indicate variables that must be replaced with appropriate values.

---

---

## Starting and Stopping with the Management Layer

---

### Procedure: Configuring T-Server to start with the Management Layer

Start of procedure

1. Open the T-Server Application's Properties dialog box.
2. Click the Start Info tab.
3. Specify the directory where the application is installed and/or is to run as the Working Directory.
4. Specify the name of the executable file as the Command-Line.
5. Specify command-line parameters as the Command-Line Arguments.  
The command-line parameters common to Framework server components are described on [page 103](#).
6. When you are finished, click Apply.
7. Click OK to save your changes and exit the Properties dialog box.

End of procedure

---

Note: Before starting an application with the Management Layer, make sure the startup parameters of the application are correctly specified in the application's Properties dialog box in Configuration Manager.

---

After its command-line parameters are correctly specified in the Properties dialog box, you can start and stop T-Server from Solution Control Interface (SCI), which is the graphical interface component of the Management Layer. (The starting procedure for SCI is described in the *Framework 7.6 Deployment Guide*.) *Framework 7.6 Solution Control Interface Help* provides complete instructions on starting and stopping applications.

You can also use the Management Layer to start a T-Server that has failed. To enable T-Server's autorestart functionality, select the corresponding check box in the Application's Properties dialog box.

Note that when you start (or restart) an application via the Management Layer, the application inherits environment variables from Local Control Agent (LCA), which executes the startup command. Therefore, you must also set the environment variables required by the application for the account that runs LCA.

---

**Warning!** *Stopping* an application via the Management Layer is not considered an application failure. Therefore, the Management Layer does not restart applications that it has stopped unless an appropriate alarm condition and alarm reaction are configured for these applications.

---

---

## Starting with Startup Files

Startup files are files with the extension `run.sh` (on UNIX) or `startServer.bat` (on Windows), which installation scripts create and place into the applications' directories during the installations. These files are created for all Framework server applications except:

- Configuration Server (primary or backup) running on Windows.
- Backup Configuration Server running on UNIX.
- DB Server running on Windows.
- LCA running on either Windows or UNIX.

When using a startup file, verify that the startup parameters the installation script inserted in the startup file are correct. Use the following instructions for UNIX and Windows to start those application for which startup files are created. See the appropriate sections in “Starting Manually” on [page 107](#) to identify which applications should be running for a particular application to start.

---

### **Procedure:** **Starting T-Server on UNIX with a startup file**

Start of procedure

1. Go to the directory where an application is installed.
2. Type the following command line:

```
sh run.sh
```

End of procedure

---

## Procedure: Starting T-Server on Windows with a startup file

### Start of procedure

To start T-Server on Windows with a startup file, use either of these methods:

- Go to the directory where an application is installed and double-click the `startServer.bat` icon.

Or

- From the MS-DOS window, go to the directory where the application is installed and type the following command-line:

```
startServer.bat
```

### End of procedure

---

## Starting Manually

When starting an application manually, you must specify the startup parameters at the command prompt, whether you are starting on UNIX or Windows. At the command prompt, command-line parameters must follow the name of the executable file. On the Shortcut tab of the Program Properties dialog box, command-line parameters must also follow the name of the executable file.

The command-line parameters common to Framework server components are described on [page 103](#).

If an Application object name, as configured in the Configuration Database, contains spaces (for example, T-Server Nortel), the Application name must be surrounded by quotation marks in the command-line:

```
-app "T-Server Nortel"
```

You must specify the rest of the command-line parameters as for any other application.

The following sections provide general instructions for starting HA Proxy and T-Server manually. Along with these instructions, refer to [Table 8](#), which lists T-Servers and HA Proxy executable file names for supported switches for Windows and UNIX operating systems.

**Table 8: T-Server and HA Proxy Executable Names**

Switch Type	T-Server Executable File Name		HA Proxy Executable File Name	
	UNIX	Windows	UNIX	Windows
Alcatel A4200/OXO	a4200_server	a4200_server.exe	Not Applicable	
Alcatel A4400/OXE	a4400_server	a4400_server.exe	Not Applicable	
Aspect ACD	aspect_server	aspect_server.exe	Not Applicable	
Avaya Communication Manager	avayacm_server	avayacm_server.exe	Not Applicable <sup>a</sup>	
Avaya INDeX	Not Applicable	index_server.exe	Not Applicable	
Cisco CallManager	ciscomc_server	ciscomc_server.exe	Not Applicable	
DataVoice Dharma	Dharma_server	Dharma_server.exe	Not Applicable	
Digitro AXS/20	digitro_server	digitro_server.exe	Not Applicable	
EADS Intecom M6880	intecom_server	intecom_server.exe	Not Applicable	
EADS Telecom M6500	m6500_server	m6500_server.exe	Not Applicable	
eOn eQueue	eon_server	eon_server.exe	Not Applicable	
Ericsson MD110	md110_server	md110_server.exe	Not Applicable	
Fujitsu F9600	Not Applicable	F9600_server.exe	Not Applicable	
Huawei C&C08	cc08_server	cc08_server.exe	Not Applicable	
Mitel SX-2000/ MN 3300	SX2000_server	SX2000_server.exe	Not Applicable	
NEC NEAX/APEX	neax_server	neax_server.exe	Not Applicable	
Nortel Communication Server 2000/2100	ncs2000_server	ncs2000_server.exe	ha_proxy_ dms	ha_proxy_ dms.exe
Nortel Communication Server 1000 with SCSS/MLS	succession_server	succession_server.exe	Not Applicable	
Philips Sopho iS3000	iS3000_server	iS3000_server.exe	ha_proxy_ iS3000	ha_proxy_ iS3000.exe

**Table 8: T-Server and HA Proxy Executable Names (Continued)**

Switch Type	T-Server Executable File Name		HA Proxy Executable File Name	
	UNIX	Windows	UNIX	Windows
Radvision iContact	nts_server	nts_server.exe	Not Applicable	
Rockwell Spectrum	spectrum_server	spectrum_server.exe	Not Applicable	
Samsung IP-PCX IAP	samsung_server	samsung_server.exe	Not Applicable	
Siemens Hicom 300/ HiPath 400 CSTA I	rolmcb4_server	rolmcb4_server.exe	Not Applicable	
Siemens HiPath 3000	HiPath3000_server	HiPath3000_server.exe	Not Applicable	
Siemens HiPath 4000 CSTA III	HiPath4000_server	HiPath4000_server.exe	Not Applicable	
Siemens HiPath DX iCCL	RealitisDX-iCCL_server	RealitisDX-iCCL_ server.exe	Not Applicable	
SIP Server	sip_server	sip_server.exe	Not Applicable	
Tadiran Coral	Coral_server	Coral_server.exe	Not Applicable	
Teltronics 20-20	Teltronics2020_server	Teltronics2020_ server.exe	ha_proxy_ teltronics_ 2020	ha_proxy_ teltronics_ 2020.exe
Tenovis Integral 33/55	Tenovis_server	Tenovis_server.exe	Not Applicable	
<b>Network T-Servers</b>				
AT&T	nts_server	nts_server.exe	Not Applicable	
Concert	nts_server	nts_server.exe	Not Applicable	
CRSP	nts_server	nts_server.exe	Not Applicable	
DTAG	dtag_server	dtag_server.exe	Not Applicable	
GenSpec	nts_server	nts_server.exe	Not Applicable	
ISCP	nts_server	nts_server.exe	Not Applicable	
IVR Server, using network configuration	nts_server	nts_server.exe	Not Applicable	
KPN	kpn_server	kpn_server.exe	Not Applicable	

**Table 8: T-Server and HA Proxy Executable Names (Continued)**

Switch Type	T-Server Executable File Name		HA Proxy Executable File Name	
	UNIX	Windows	UNIX	Windows
MCI	mci800_server	mci800_server.exe	Not Applicable	
NGSN	nts_server	nts_server.exe	Not Applicable	
Network SIP Server	tsip_server	tsip_server.exe	Not Applicable	
Sprint	sprint_server	sprint_server.exe	Not Applicable	
SR3511	sr3511_server	sr3511_server.exe	Not Applicable	
Stentor	stentor_server	stentor_server.exe	Not Applicable	

- a. For releases prior to 7.1, this T-Server has an HA Proxy available: ha\_proxy\_g3tcp (UNIX) or ha\_proxy\_g3tcp.exe (Windows).

## HA Proxy

If you do not use HA Proxy in your Genesys implementation, proceed to “T-Server” on [page 111](#).

If one or more HA Proxy components are required for the T-Server connection, start HA Proxy before starting T-Server.

Before starting HA Proxy, be sure that the following components are running:

- DB Server that provides access to the Configuration Database
- Configuration Server

The command-line parameters common to Framework server components are described on [page 103](#).

---

### Procedure: Starting HA Proxy on UNIX manually

Start of procedure

1. Go to the directory where HA Proxy is installed and type the following command-line:

```
ha_proxy_<switch> -host <Configuration Server host>
-port <Configuration Server port> -app <HA Proxy Application>
```

2. Replace `ha_proxy_<switch>` with the correct HA Proxy executable name, which depends on the type of the switch used.

Table 8 on [page 108](#) lists HA Proxy executable names for supported switches.

End of procedure

---

## Procedure: Starting HA Proxy on Windows manually

Start of procedure

1. Start HA Proxy from either the Start menu or the MS-DOS window. If using the MS-DOS window, go to the directory where HA Proxy is installed and type the following command-line:

```
ha_proxy_<switch>.exe -host <Configuration Server host> -port  
<Configuration Server port> -app <HA Proxy Application>
```

2. Replace `ha_proxy_<switch>.exe` with the correct HA Proxy executable name, which depends on the type of the switch used.

Table 8 on [page 108](#) lists HA Proxy executable names for supported switches.

End of procedure

## T-Server

Before starting T-Server, be sure that the following components are running:

- DB Server that provides access to the Configuration Database
- Configuration Server
- License Manager

---

Note: If an HA Proxy component is required for the T-Server connection, HA Proxy must be started before T-Server.

---

The command-line parameters common to Framework server components are described on [page 103](#).

---

**Procedure:**  
**Starting T-Server on UNIX manually**

Start of procedure

1. Go to the directory where T-Server is installed and type the following command-line:

```
<switch>_server -host <Configuration Server host>  
-port <Configuration Server port> -app <T-Server Application>  
-l <license address> -nco [X]/[Y]
```

2. Replace <switch>\_server with the correct T-Server executable name, which depends on the type of the switch used.

Table 8 on [page 108](#) lists T-Server executable names for supported switches.

End of procedure

---

**Procedure:**  
**Starting T-Server on Windows manually**

Start of procedure

1. Start T-Server from either the Start menu or the MS-DOS window. If using the MS-DOS window, go to the directory where T-Server is installed and type the following command-line:

```
<switch>_server.exe -host <Configuration Server host>  
-port <Configuration Server port> -app <T-Server Application>  
-l <license address> -nco [X]/[Y]
```

2. Replace <switch>\_server.exe with the correct T-Server executable name, which depends on the type of the switch used.

Table 8 on [page 108](#) lists T-Server executable names for supported switches.

End of procedure

---

## Verifying Successful Startup

After executing the startup command, you might want to check whether it was successful.

If you used the Management Layer to start either T-Server or HA Proxy, check whether Solution Control Interface displays Started or Service Unavailable



status for the corresponding application. Refer to the “Troubleshooting” section of the *Framework 7.6 Management Layer User’s Guide* if the startup command does not result in either Started or Service Unavailable status for some period of time.

If you start your T-Server or HA Proxy with startup files or manually, and if you have configured logging to console or a log file, check the log for messages similar to the following:

- T-Server log file: Link connected
- HA Proxy log file: Link connected

---

## Stopping Manually

The following stopping procedures apply to Genesys server applications, such as DB Server, Configuration Server, Message Server, Local Control Agent, Solution Control Server, HA Proxy, T-Server, and Stat Server.

---

### **Procedure:** **Stopping T-Server on UNIX manually**

Start of procedure

To stop a server application from its console window on UNIX, use either of these commands:

- Ctrl+C
- kill <process number>

End of procedure

---

### **Procedure:** **Stopping T-Server on Windows manually**

Start of procedure

To stop a server application on Windows, use either of these commands:

- To stop a server application from its console window on Windows, use the Ctrl+C command.
- To stop a server application on Windows, use the End Task button on the Windows Task Manager.

End of procedure

---

# Starting and Stopping with Windows Services Manager

When starting an application installed as a Windows Service, make sure the startup parameters of the application are correctly specified in the ImagePath in the Application folder in the Registry Editor. The ImagePath must have the following value data:

```
<full path>\<executable file name> -service <Application Name as Service> -host <Configuration Server host>
-port <Configuration Server port> -app <Application Name>
-l <license address>
```

where the command-line parameters common to Framework server components are described on [page 103](#) and

-service        The name of the Application running as a Windows Service; typically, it matches the Application name specified in the -app command-line parameter.

Framework components installed as Windows Services with the autostart capability are automatically started each time a computer on which they are installed is rebooted.

You can start Framework components installed as Windows Services with the manual start capability with the Start button in Services Manager.

---

Note: Use the Windows Services window to change the startup mode from Automatic to Manual and vice versa.

---

Regardless of a component's start capability, you can stop Framework components installed as Windows Services with the Stop button in Services Manager.

---

## Next Steps

This chapter concludes Part One of this document—the set of general instructions for deploying any T-Server. Refer to subsequent chapters in this guide for detailed reference information and any special procedural instructions that pertain to your particular T-Server.



Part

# 2

## Part Two: Reference Information

Part Two of this *Network T-Server Deployment Guide* contains reference information specific to your T-Server. However, it also contains information on *all* T-Server options—both those specific to your T-Server and those common to all T-Servers. The information is divided among these chapters:

- Chapter 5, “GenSpec–Specific Configuration,” on [page 117](#), describes compatibility and configuration information specific to this T-Server, including instructions for setting the DN properties and recommendations for the switch configuration.
- Chapter 6, “Supported Functionality in Network T-Server for GenSpec,” on [page 119](#), describes the features that are supported by this T-Server, including T-Library functionality, and error messages.
- Chapter 7, “Common Configuration Options,” on [page 137](#), describes the log configuration options common to all Genesys server applications.
- Chapter 8, “T-Server Common Configuration Options,” on [page 159](#), describes the configuration options common to all T-Server types, including options for multi-site configuration.
- Chapter 9, “Configuration Options in Network T-Server for GenSpec,” on [page 183](#), describes the configuration options specific to this T-Server, including the link-related options—those that address the interface between T-Server and the switch.





Chapter

# 5

## GenSpec-Specific Configuration

This chapter presents switch-specific reference information for configuring Network T-Server for GenSpec. It contains the following section:

- [Manual Configuration of Telephony Objects, page 117](#)

---

Note: For general instructions on T-Server deployment procedures, refer to Chapter 2, “T-Server General Deployment,” on [page 33](#). Use the *Framework 7.6 Deployment Guide* to prepare accurate configuration information. You may also consult *Configuration Manager Help*, which contains detailed information on configuring objects.

---

---

## Manual Configuration of Telephony Objects

This section describes the telephony objects that you need to configure for Network T-Server for GenSpec using Configuration Manager.

### Switching Office

The Switching Office Type for the Network T-Server for GenSpec is: GenSpec.

### Service Numbers

The toll-free numbers used as network-level routing points must be configured under the network switch as DNs of type Service Number.

---

Note: For option information common to all T-Servers, refer to Chapter 8, “T-Server Common Configuration Options,” on [page 159](#). For specific option information, see Chapter 9, “Configuration Options in Network T-Server for GenSpec,” on [page 183](#).

---



Chapter

# 6

## Supported Functionality in Network T-Server for GenSpec

This chapter describes the telephony functionality the Network T-Server for GenSpec supports, it contains the following sections:

- [T-Library Functionality, page 119](#)
- [Load Balancing, page 127](#)
- [Flow Control Configuration, page 128](#)
- [Asynchronous Network Messaging, page 129](#)
- [Error Messages, page 130](#)
- [GenSpec Supported Treatment Types, page 133](#)

---

### T-Library Functionality

The tables in this chapter present T-Library functionality supported in Network T-Server for GenSpec. The table entries use the following notations:

- **N**—Not supported
- **Y**—Supported
- **E**—Event only is supported
- **I**—Supported, but reserved for Genesys Engineering

In [Table 9](#), when a set of events is sent in response to a single request, the events are listed in an arbitrary order. An asterisk (\*) indicates the event that contains the same Reference ID as the request. For more information, refer to the *Genesys 7 Events and Models Reference Manual* and the *Voice Platform SDK 7.6 .NET (or Java) API Reference*.

[Table 9](#) reflects only the switch functionality that is used by Genesys software and might not include the complete set of events offered by the switch.

Certain requests listed in [Table 9](#) are reserved for Genesys Engineering and are listed here merely for completeness of information.

Notes describing specific functionalities appear at the end of a table.

**Table 9: Supported Functionality**

Feature Request	Request Subtype	Corresponding Event(s)	Supported
<b>General Requests</b>			
TOpenServer		EventServerConnected	Y
TOpenServerEx		EventServerConnected	Y
TCloseServer		EventServerDisconnected	Y
TSetInputMask		EventACK	Y
TDispatch		Not Applicable	Y
TScanServer		Not Applicable	Y
TScanServerEx		Not Applicable	Y
<b>Registration Requests</b>			
TRegisterAddress <sup>a</sup>		EventRegistered	Y
TUnregisterAddress <sup>a</sup>		EventUnregistered	Y
<b>Call-Handling Requests</b>			
TMakeCall <sup>b</sup>	Regular	EventDialing	N
	DirectAgent		N
	SupervisorAssist		N
	Priority		N
	DirectPriority		N
TAnswerCall		EventEstablished	N
TReleaseCall		EventReleased	N
TClearCall		EventReleased	N
THoldCall <sup>c</sup>		EventHeld	N
TRetrieveCall <sup>d</sup>		EventRetrieved	N
TRedirectCall		EventReleased	N



**Table 9: Supported Functionality (Continued)**

Feature Request	Request Subtype	Corresponding Event(s)	Supported
TMakePredictiveCall		EventDialing*, EventQueued	Y
<b>Transfer/Conference Requests</b>			
TInitiateTransfer <sup>b</sup>		EventHeld, EventDialing*	N
TCompleteTransfer		First arriving EventReleased*, EventPartyChanged	N
TInitiateConference <sup>b</sup>		EventHeld, EventDialing*	N
TCompleteConference		EventReleased*, EventRetrieved, EventPartyChanged, EventPartyAdded	N
TDeleteFromConference		EventPartyDeleted*, EventReleased	N
TReconnectCall <sup>d,e</sup>		EventReleased, EventRetrieved*	N
TAlternateCall		EventHeld*, EventRetrieved	N
TMergeCalls	ForTransfer	EventReleased*, EventPartyChanged	N
	ForConference	EventReleased*, EventRetrieved, EventPartyChanged, EventPartyAdded	N
TMuteTransfer <sup>b</sup>		EventHeld, EventDialing*, EventReleased, EventPartyChanged	N
TSingleStepTransfer <sup>b</sup>		EventReleased*, EventPartyChanged	N
TSingleStepConference		EventPartyAdded* or EventRinging*, EventEstablished	N
<b>Call-Routing Requests</b>			
TRouteCall <sup>b</sup>	Unknown	EventRouteUsed	Y

**Table 9: Supported Functionality (Continued)**

Feature Request	Request Subtype	Corresponding Event(s)	Supported
	Default		Y
	Label		N
	OverwriteDNIS		N
	DDD		N
	IDDD		N
	Direct		Y
	Reject		Y
	Announcement		N
	PostFeature		N
	DirectAgent		Y
	Priority		N
	DirectPriority		N
	AgentID		N
	CallDisconnect		Y
<b>Call-Treatment Requests</b>			
TApplyTreatment	Unknown	(EventTreatmentApplied + EventTreatmentEnd)/ EventTreatmentNotApplied	N
	IVR		N
	Music		Y
	RingBack		N
	Silence		N
	Busy		N
	CollectDigits		N
	PlayAnnouncement		Y
	PlayAnnouncementAnd-Digits		Y

**Table 9: Supported Functionality (Continued)**

Feature Request	Request Subtype	Corresponding Event(s)	Supported
	VerifyDigits		N
	RecordUserAnnouncement		N
	DeleteUserAnnouncement		N
	CancelCall		N
	PlayApplication		Y
	SetDefaultRoute		N
	TextToSpeech		N
	TextToSpeechAndDigits		N
	FastBusy		N
	RAN		N
TGiveMusicTreatment		EventTreatmentApplied	N
TGiveRingBackTreatment		EventTreatmentApplied	N
TGiveSilenceTreatment		EventTreatmentApplied	N
<b>DTMF (Dual-Tone Multifrequency) Requests</b>			
TCollectDigits		EventDigitsCollected	N
TSendDTMF		EventDTMFSent	N
<b>Voice-Mail Requests</b>			
TOpenVoiceFile		EventVoiceFileOpened	N
TCloseVoiceFile		EventVoiceFileClosed	N
TLoginMailBox		EventMailBoxLogin	N
TLogoutMailBox		EventMailBoxLogout	N
TPlayVoice		EventVoiceFileEndPlay	N
<b>Agent and DN Feature Requests</b>			
TAgentLogin		EventAgentLogin	N
TAgentLogout		EventAgentLogout	N

**Table 9: Supported Functionality (Continued)**

Feature Request	Request Subtype	Corresponding Event(s)	Supported
TAgentSetIdleReason		EventAgentIdleReasonSet	N
TAgentSetReady		EventAgentReady	N
TAgentSetNotReady		EventAgentNotReady	N
TMonitorNextCall	OneCall	EventMonitoringNextCall	N
	AllCalls		N
TCancelMonitoring		EventMonitoringCanceled	N
TCallSetForward	None	EventForwardSet	N
	Unconditional		N
	OnBusy		N
	OnNoAnswer		N
	OnBusyAndNoAnswer		N
	SendAllCalls		N
TCallCancelForward		EventForwardCancel	N
TSetMuteOff		EventMuteOff	N
TSetMuteOn		EventMuteOn	N
TListenDisconnect		EventListenDisconnected	N
TListenReconnect		EventListenReconnected	N
TSetDNDOOn		EventDNDOOn	N
TSetDNDOOff		EventDNDOOff	N
TSetMessageWaitingOn		EventMessageWaitingOn	N
TSetMessageWaitingOff		EventMessageWaitingOff	N
<b>Query Requests</b>			
TQuerySwitch <sup>a</sup>	DateTime	EventSwitchInfo	N
	ClassifierStat		N
TQueryCall <sup>a</sup>	PartiesQuery	EventPartyInfo	N

**Table 9: Supported Functionality (Continued)**

Feature Request	Request Subtype	Corresponding Event(s)	Supported
	StatusQuery		N
TQueryAddress <sup>a</sup>	AddressStatus	EventAddressInfo	N
	MessageWaitingStatus		N
	AssociationStatus		N
	CallForwardingStatus		N
	AgentStatus		N
	NumberOfAgentsInQueue		N
	NumberOfAvailableAgents-InQueue		N
	NumberOfCallsInQueue		N
	AddressType		N
	CallsQuery		N
	SendAllCallsStatus		N
	QueueLoginAudit		N
	NumberOfIdleTrunks		N
	NumberOfTrunksInUse		N
	Database Value		N
DNStatus	Y		
QueueStatus	Y		
TQueryLocation <sup>a</sup>	AllLocations	EventLocationInfo	I
	LocationData		I
	MonitorLocation		I
	CancelMonitorLocation		I
	MonitorAllLocations		I
	CancelMonitorAllLocations		I
	LocationMonitorCanceled		I

**Table 9: Supported Functionality (Continued)**

Feature Request	Request Subtype	Corresponding Event(s)	Supported
	AllLocationsMonitor-Canceled		I
TQueryServer <sup>a</sup>		EventServerInfo	Y
<b>User-Data Requests</b>			
TAttachUserData (Obsolete)		EventAttachedDataChanged	Y
TUpdateUserData		EventAttachedDataChanged	Y
TDeleteUserData		EventAttachedDataChanged	Y
TDeleteAllUserData		EventAttachedDataChanged	Y
<b>ISCC (Inter Server Call Control) Requests</b>			
TGetAccessNumber <sup>b</sup>		EventAnswerAccessNumber	I
TCancelReqGetAccess-Number		EventReqGetAccess-NumberCanceled	I
<b>ISCC Transaction Monitoring Requests</b>			
TTransactionMonitoring		EventACK	Y
		EventTransactionStatus	E
<b>Special Requests</b>			
TReserveAgent		EventAgentReserved	Y
TSendEvent		EventACK	I
TSendEventEx		EventACK	I
TSetCallAttributes		EventCallInfoChanged	I
TSendUserEvent		EventACK	Y
TPrivateService		EventPrivateInfo	Y
<b>Network Attended Transfer Requests</b>			
TNetworkAlternate		EventNetworkCallStatus	Y
TNetworkConsult		EventNetworkCallStatus	Y
TNetworkMerge		EventNetworkCallStatus	Y

**Table 9: Supported Functionality (Continued)**

Feature Request	Request Subtype	Corresponding Event(s)	Supported
TNetworkReconnect		EventNetworkCallStatus	Y
TNetworkSingleStep-Transfer		EventNetworkCallStatus	N
TNetworkTransfer		EventNetworkCallStatus	Y
TNetworkPrivateService		EventNetworkPrivateInfo	Y

- a. Only the requestor will receive a notification of the event associated with this request.
- b. Because this feature request may be made across locations in a multi-site environment, if the Location attribute of the request contains a value relating to any location other than the local site—except when the response to this request is EventError—a second event response containing the same Reference ID as the first event is sent. This second event is either EventRemoteConnecti onSuccess or EventRemoteConnecti onFai led.
- c. Supported only with Link version 5 or later.
- d. Supported only for T-Library clients using version 5.0 or later.
- e. TReconnectCall will not function properly if Autohold Allowed is enabled on the switch.

---

## Load Balancing

Network T-Server for GenSpec uses Load Balancing, a type of load-sharing redundancy, instead of warm standby or hot standby redundancy type. With this functionality, two or more Network T-Servers are attached to an SCP. The SCP distributes calls across the group of load-balanced Network T-Servers and determines the backup solution in case of failure.

The Solution Control Interface (SCI) sees each one of the attached Network T-Servers as an active, primary server.

---

**Note:** The primary/backup methodology found in other applications does not apply to load balancing, and the SCI switchover functionality does not apply to load-balanced Network T-Servers.

---

The Network T-Server applications can be started and stopped manually. Once they are running, you can manually shut down any Network T-Server and the others will continue to run. If a software failure occurs on any given Network T-Server, any calls already in process on that Network T-Server are lost, but all the other Network T-Servers continue to operate.

To implement Network T-Server Load Balancing, create multiple, separate Network T-Server Appl i cati on objects that share the same Swi tch object. Enter Not Speci fi ed for the redundancy type, and do not select a backup Server.

---

# Flow Control Configuration

Flow control configuration allows you to better manage the call flows processed by the Network T-Servers in your network. Each Network T-Server keeps an internal queue of pending events for call routing requests it has received from the SCP. You can use the watermark configuration option to specify the maximum acceptable congestion level for a Network T-Server.

Watermark interacts with the FlowControl State configuration option defined in the GenSpec section. The FlowControl State option has four settings:

- none—(default) All flow control operations/messages are disabled. This value does not alter the flow control state of any existing connections.
- resume—Any connections which are suspended are resumed. At login, a resume instruction is sent to the SCP. If this option is changed prior to logging in, but after GLI connection, the flow control message is sent immediately.
- suspend—Acts in a similar fashion to resume, but resuming where suspended.
- auto—The PGF-based congestion notifications are used to decide whether to pause or unpaue. Login and changing to this mode advertises the current state (where applicable).

In the watermark option, you specify the number of pending events at which a Network T-Server should notify the SCP to suspend new call routing requests to this Network T-Server. When the SCP receives a notification that a Network T-Server is operating at a 100 percent congestion level—that is, when the watermark setting is reached, a Flow Control Suspend message is sent to the SCP to suspend all requests to that Network T-Server and route its call volume to other available Network T-Servers in your network.

While new call routing requests are suspended, the Network T-Server continues to process the pending events in its queue. When the congestion level returns to 50 percent or less of the watermark setting, the Network T-Server sends a message to the SCP to resume sending requests to that Network T-Server.

The size of the Network T-Server's internal message queue is determined by a combination of the following parameters:

1. The call arrival rate for calls coming into the Network T-Server.
2. The number of active calls in the queue for a given time period.
3. The complexity of the call type. For example, a simple call flow would be one in which the Network T-Server receives a route request from the SCP, sends an EventRouteRequest to URS, receives a RequestRouteCall from URS, and sends a route response to the SCP. When IVR treatments and call transfers are added, the call complexity grows, as does the amount of time the Network T-Server spends on that call.



4. The performance of the host running the Network T-Server.

The larger the values for parameters 1, 2, and 3, the greater the volume of messages to be processed, which increases the queue size. The faster the system in 4, the greater the volume of messages that can be processed, which decreases the queue size.

For a particular set of 1, 2, 3, and 4, a "Steady State" queue size correlates directly to CPU and memory utilization by the Network T-Server. For example, at 40 percent CPU the queue size might be 200, and at 75 percent CPU it might be 700. In this example, the watermark could be set to 1000.

You can track memory utilization in a similar manner. The amount of memory used depends on the amount of attached data and other call factors, but it directly correlates to parameters 1, 2, and 3.

Genesys recommends that you run a series of performance tests to determine the watermark value that provides the best flow control for your configuration.

See the section "pgf Section" on [page 188](#) for the watermark option description and applicable notes.

---

## Asynchronous Network Messaging

With the asynchronous network messaging feature, Network T-Server monitors the call-related user data for messages to be passed between an agent application and the SCP. The following steps show the information flow among the agent application, the Network T-Server, and the SCP or service node.

1. The agent application uses the TKVList functions to create a TKVList of key-value pairs. Each key is the name of a parameter, and the associated value is the current value for that parameter.
2. The agent application places the TKVList into the extensions parameter of the TPri vateServi ce or TNetworkPri vateServi ce and sends that message to the Network T-Server.
3. The Network T-Server receives the agent message, reformats the TKVList, and forwards the request to the SCP in an AsyncMessage request.
4. The SCP sends an AsyncResponse message to the T-Server.
5. The Network T-Server receives the AsyncResponse message, reformats it, and forwards the reply to the agent using either the EventPri vateI nfo or EventNetworkPri vateI nfo message.

---

Note: The Network T-Server always expects a response from the SCP. It sets an AsyncResponseTi meout timer. If there is no response received in that time, then an EventError is sent to the agent, indicating that the request has timed out.

---

## Error Messages

The following tables present the complete set of error messages T-Server distributes with EventError. While some guidelines are given on how to handle T-Server Common Part (TSCP) error messages, refer to the switch documentation for resolution of switch-related errors.

### TSCP Error Messages

**Table 10: T-Server Common Part (TSCP) Error Messages**

T-Library Error Code	Symbolic Name	Description	Recommendations
40	TERR_NOMORE_LICENSE	No more licenses are available	Ensure that the license file contains enough licenses or increase the number of licenses in T-Server configuration.
41	TERR_NOT_REGISTERED	Client has not registered for the DN	T-Server reports unauthorized access. Make sure that the T-client successfully registers the DN before sending other requests involving the DN.
42	TERR_RESOURCE_SEIZED	Resource is already seized	The resource (DN) cannot be registered because another application has registered for it in Private mode. Select another DN for registration or have that application unregister the DN first.
50	TERR_UNKNOWN_ERROR	Unrecognized error	T-Server could not identify the reason for the error. Check the error message text for possible explanation of the error.
51	TERR_UNSUP_OPER	Unsupported operation	The combination of this T-Server release with this switch version does not support the requested operation.
52	TERR_INTERNAL	Internal error	Contact Genesys Technical Support.

**Table 10: T-Server Common Part (TSCP) Error Messages (Continued)**

<b>T-Library Error Code</b>	<b>Symbolic Name</b>	<b>Description</b>	<b>Recommendations</b>
53	TERR_INVALID_ATTR	Invalid attribute value	Check the content of the client request for correctness.
54	TERR_NO_SWITCH	No connection to the switch	Ensure that the connection to the switch exists.
55	TERR_PROTO_VERS	Incorrect protocol version	T-Server cannot recognize the client version. Make sure that the client uses the T-Library protocol; check the T-Server and client version compatibility.
56	TERR_INV_CONNID	Invalid Connection ID	At the time T-Server received the request, the Connection ID was invalid. Ensure that the specified Connection ID is associated with a live call.
57	TERR_TIMEOUT	Timeout expired	The request processing was canceled because of a timeout. Resubmit the request or check that the request is valid in association with the subject of the request.
58	TERR_OUT_OF_SERVICE	Out of service	The referenced resource (for example, DN) is out of service.
59	TERR_NOT_CONFIGURED	DN is not configured in the Configuration Database	A client attempts to register for a DN that must be configured in the Configuration Database. Verify that the specified DN is valid, and if so, add the DN to the switch configuration in the Configuration Database.

## Connection-Status Error Messages

### Unsuccessful Call Origination

Table 11: Unsuccessful Call Origination

T-Library Error Code	Symbolic Name	Description	Switch Error Code
83	TERR_ORIG_DN_BUSY	Origination DN Busy	0B04

## Voice-Processing Failure Messages

Table 12: Voice-Processing Failure Messages

T-Library Error Code	Symbolic Name	Description	Switch Error Code
231	TERR_DN_BUSY	DN Is Busy	3009
232	TERR_DN_NO_ANSWER	No Answer at DN	300A
234	TERR_CONN_ATMPT_FAIL	Call Connection Attempt Has Failed	300C

## Network Attended Transfer/Conference Error Messages

Table 13: Network Attended Transfer/Conference Messages

T-Library Error Code	Symbolic Name	Description
1901	TERR_NATC_UNEXP_CONSULT	Unexpected request TNetworkConsult
1902	TERR_NATC_UNEXP_ALTERNATE	Unexpected request TNetworkAlternate
1903	TERR_NATC_UNEXP_RECONNECT	Unexpected request TNetworkReconnect
1904	TERR_NATC_UNEXP_TRANSFER	Unexpected request TNetworkTransfer
1905	TERR_NATC_UNEXP_MERGE	Unexpected request for TNetworkMerge
1906	TERR_NATC_UNEXP_SST	Unexpected request TNetworkSingleStepTransfer

**Table 13: Network Attended Transfer/Conference Messages (Continued)**

T-Library Error Code	Symbolic Name	Description
1907	TERR_NATC_UNEXP_NPS	Unexpected request TNetworkPrivateService
1908	TERR_NATC_UNEXP_MSG	Unexpected message

## GenSpec Supported Treatment Types

Network T-Server for GenSpec supports four T-Library treatment types:

- TreatmentMusic
- TreatmentPlayAnnouncement
- TreatmentPlayAnnouncementAndDigits
- TreatmentPlayApplication.

[Table 14](#) presents the supported T-Library treatment types along with mandatory and optional configuration parameters.

**Table 14: GenSpec Supported T-Library Treatment Types**

Treatment Type	Mandatory Parameters	Optional Parameters
TreatmentMusic	MUSIC_DN DURATION	NUMBER_OF_REPITITIONS
TreatmentPlayAnnouncement	PROMPT	LANGUAGE NUMBER_OF_REPITITIONS
TreatmentPlayAnnouncementAndDigits	PROMPT MAX_DIGITS	LANGUAGE TERM_DIGITS RESET_DIGITS BACKSPACE_DIGITS ABORT_DIGITS START_TIMEOUT DIGIT_TIMEOUT
TreatmentPlayApplication	APP_ID	LANGUAGE

[Table 15](#) presents the parameter types and ranges. Notes describing specific parameters appear at the end of the table.

**Table 15: Treatment Parameter Types and Ranges**

Parameter	Type	Range
ABORT_DIGITS	string	
BACK_SPACE_DIGITS	string	
DIGIT_TIMEOUT	integer	0-255
DIGITS	string	
DURATION	integer	1-65535
LANGUAGE	string	
MAX_DIGITS	integer	1-31
MUSIC_DN	integer	1-65535
NUMBER_OF_REPETITIONS	integer	1-65535
PROMPT <sup>a</sup>	integer	1-10
RESET_DIGITS	string	
START_TIMEOUT	integer	0-255
TERM_DIGITS	string	
USER_ID <sup>b</sup>	integer	1-65535

- Parameter types and ranges for the PROMPT variable are listed in [Table 16](#).
- The USER\_ID parameter may be used in conjunction with the USER\_ANN\_ID parameter. Consult the *Genesys 7 Events and Models Reference Manual* and the *Voice Platform SDK 7.6 .NET (or Java) API Reference* for details on configuring this parameter.

[Table 16](#) lists the parameter types and ranges for the PROMPT variable. A PROMPT may contain one or more prompts which are numbered starting from one (1). It is uninterruptible by default. If an interruptible prompt is required, an INTERRUPTABLE property must be set (value not checked). In addition, each prompt must contain one of the properties listed in [Table 11](#). The parameters are checked in the following order: ID, DIGITS, USER\_ANN\_ID, and TEXT. If more than one parameter is present, only the first item found will be used. If none are present it will be treated as an error.

**Table 16: Prompt Parameter Types and Ranges**

Parameter	Type	Range
ID	integer	1-65535
DIGITS	string	
USER_ANN_ID	integer	1-65535
USER_ID	integer	1-65535
TEXT	string	

The parameter `USER_ID` can be used in conjunction with `USER_ANN_ID` for the `PROMPT` variable. It is checked in the following manner:

- If `USER_ID` is present in the same prompt as `USER_ANN_ID`, the value for `USER_ID` is used.
- If `USER_ID` is present in `AttributeExtensions`, that value is used.
- `USER_ID` is set as an empty string.







Chapter

# 7

## Common Configuration Options

Unless otherwise noted, the common configuration options that this chapter describes are common to all Genesys server applications and applicable to any Framework server component. This chapter includes the following sections:

- [Setting Configuration Options, page 137](#)
- [Mandatory Options, page 138](#)
- [Log Section, page 138](#)
- [Log-Extended Section, page 152](#)
- [Log-Filter Section, page 154](#)
- [Log-Filter-Data Section, page 155](#)
- [Common Section, page 155](#)
- [Changes from 7.5 to 7.6, page 156](#)

---

Note: Some server applications also support log options that are unique to them. For descriptions of a particular application's unique log options, refer to the chapter/document about that application.

---

---

## Setting Configuration Options

Unless it is otherwise specified in this document or in the documentation for your application, you set common configuration options in Configuration Manager in the corresponding sections on the `Options` tab of the `Application` object.

---

**Warning!** Configuration section names, configuration option names, and predefined option values are case-sensitive. Type them in the Configuration Manager interface exactly as they are documented in this chapter.

---



---

## Mandatory Options

You do not have to configure any common options to start Server applications.

---

## Log Section

This section must be called `log`.

### **verbose**

Default Value: `all`

Valid Values:

<code>all</code>	All log events (that is, log events of the Standard, Trace, Interaction, and Debug levels) are generated.
<code>debug</code>	The same as <code>all</code> .
<code>trace</code>	Log events of the Trace level and higher (that is, log events of the Standard, Interaction, and Trace levels) are generated, but log events of the Debug level are not generated.
<code>interaction</code>	Log events of the Interaction level and higher (that is, log events of the Standard and Interaction levels) are generated, but log events of the Trace and Debug levels are not generated.
<code>standard</code>	Log events of the Standard level are generated, but log events of the Interaction, Trace, and Debug levels are not generated.
<code>none</code>	No output is produced.

Changes Take Effect: Immediately

Determines whether a log output is created. If it is, specifies the minimum level of log events generated. The log events levels, starting with the highest priority level, are Standard, Interaction, Trace, and Debug. See also “Log Output Options” on [page 144](#).

---

**Note:** For definitions of the Standard, Interaction, Trace, and Debug log levels, refer to the *Framework 7.6 Deployment Guide* or to *Framework 7.6 Solution Control Interface Help*.

---

### **buffering**

Default Value: `true`

**Valid Values:**

true	Enables buffering.
false	Disables buffering.

**Changes Take Effect: Immediately**

Turns on/off operating system file buffering. The option is applicable only to the stderr and stdout output (see [page 144](#)). Setting this option to true increases the output performance.

---

Note: When buffering is enabled, there might be a delay before log messages appear at the console.

---

**segment**

Default Value: false

**Valid Values:**

false	No segmentation is allowed.
<number> KB or <number>	Sets the maximum segment size, in kilobytes. The minimum segment size is 100 KB.
<number> MB	Sets the maximum segment size, in megabytes.
<number> hr	Sets the number of hours for the segment to stay open. The minimum number is 1 hour.

**Changes Take Effect: Immediately**

Specifies whether there is a segmentation limit for a log file. If there is, sets the mode of measurement, along with the maximum size. If the current log segment exceeds the size set by this option, the file is closed and a new one is created. This option is ignored if log output is not configured to be sent to a log file.

**expire**

Default Value: false

**Valid Values:**

false	No expiration; all generated segments are stored.
<number> file or <number>	Sets the maximum number of log files to store. Specify a number from 1–100.
<number> day	Sets the maximum number of days before log files are deleted. Specify a number from 1–100.

**Changes Take Effect: Immediately**

Determines whether log files expire. If they do, sets the measurement for determining when they expire, along with the maximum number of files (segments) or days before the files are removed. This option is ignored if log output is not configured to be sent to a log file.

---

Note: If an option's value is set incorrectly—out of the range of valid values— it will be automatically reset to 10.

---

### keep-startup-file

Default Value: `false`

Valid Values:

<code>false</code>	No startup segment of the log is kept.
<code>true</code>	A startup segment of the log is kept. The size of the segment equals the value of the segment option.
<code>&lt;number&gt; KB</code>	Sets the maximum size, in kilobytes, for a startup segment of the log.
<code>&lt;number&gt; MB</code>	Sets the maximum size, in megabytes, for a startup segment of the log.

Changes Take Effect: After restart

Specifies whether a startup segment of the log, containing the initial T-Server configuration, is to be kept. If it is, this option can be set to `true` or to a specific size. If set to `true`, the size of the initial segment will be equal to the size of the regular log segment defined by the `segment` option. The value of this option will be ignored if segmentation is turned off (that is, if the `segment` option set to `false`).

---

Note: This option applies only to T-Servers.

---

### messagefile

Default Value: As specified by a particular application

Valid Values: `<string>.lms` (message file name)

Changes Take Effect: Immediately, if an application cannot find its `*.lms` file at startup

Specifies the file name for application-specific log events. The name must be valid for the operating system on which the application is running. The option value can also contain the absolute path to the application-specific `*.lms` file. Otherwise, an application looks for the file in its working directory.

---

Warning! An application that does not find its `*.lms` file at startup cannot generate application-specific log events and send them to Message Server.

---

**message\_format**

Default Value: short

Valid Values:

- |       |  |
|-------|--|
| short | An application uses compressed headers when writing log records in its log file. |
| full  | An application uses complete headers when writing log records in its log file.   |

Changes Take Effect: Immediately

Specifies the format of log record headers that an application uses when writing logs in the log file. Using compressed log record headers improves application performance and reduces the log file's size.

With the value set to short:

- A header of the log file or the log file segment contains information about the application (such as the application name, application type, host type, and time zone), whereas single log records within the file or segment omit this information.
- A log message priority is abbreviated to Std, Int, Trc, or Dbg, for Standard, Interaction, Trace, or Debug messages, respectively.
- The message ID does not contain the prefix GCTI or the application type ID.

A log record in the full format looks like this:

```
2002-05-07T18:11:38.196 Standard localhost cfg_dbserver GCTI-00-05060
Application started
```

A log record in the short format looks like this:

```
2002-05-07T18:15:33.952 Std 05060 Application started
```

---

Note: Whether the full or short format is used, time is printed in the format specified by the [time\\_format](#) option.

---

**time\_convert**

Default Value: Local

Valid Values:

- |       |  |
|-------|--|
| local | The time of log record generation is expressed as a local time, based on the time zone and any seasonal adjustments. Time zone information of the application's host computer is used. |
| utc   | The time of log record generation is expressed as Coordinated Universal Time (UTC).  |

Changes Take Effect: Immediately

Specifies the system in which an application calculates the log record time when generating a log file. The time is converted from the time in seconds since the Epoch (00:00:00 UTC, January 1, 1970).

**time\_format**Default Value: `time`

Valid Values:

- |                      |  |
|----------------------|--|
| <code>time</code>    | The time string is formatted according to the HH:MM:SS.sss (hours, minutes, seconds, and milliseconds) format.           |
| <code>locale</code>  | The time string is formatted according to the system's locale.   |
| <code>ISO8601</code> | The date in the time string is formatted according to the ISO 8601 format. Fractional seconds are given in milliseconds. |

Changes Take Effect: Immediately

Specifies how to represent, in a log file, the time when an application generates log records.

A log record's time field in the ISO 8601 format looks like this:

```
2001-07-24T04:58:10.123
```

**print-attributes**Default Value: `false`

Valid Values:

- |                    |  |
|--------------------|--|
| <code>true</code>  | Attaches extended attributes, if any exist, to a log event sent to log output. |
| <code>false</code> | Does not attach extended attributes to a log event sent to log output.         |

Changes Take Effect: Immediately

Specifies whether the application attaches extended attributes, if any exist, to a log event that it sends to log output. Typically, log events of the Interaction log level and Audit-related log events contain extended attributes. Setting this option to `true` enables audit capabilities, but negatively affects performance. Genesys recommends enabling this option for Solution Control Server and Configuration Server when using audit tracking. For other applications, refer to *Genesys 7.6 Combined Log Events Help* to find out whether an application generates Interaction-level and Audit-related log events; if it does, enable the option only when testing new interaction scenarios.

**check-point**Default Value: `1`Valid Values: `0-24`

Changes Take Effect: Immediately

Specifies, in hours, how often the application generates a check point log event, to divide the log into sections of equal time. By default, the application generates this log event every hour. Setting the option to `0` prevents the generation of check-point events.

**memory**

Default Value: No default value

Valid Values: <string> (memory file name)

Changes Take Effect: Immediately

Specifies the name of the file to which the application regularly prints a snapshot of the memory output, if it is configured to do this (see “Log Output Options” on [page 144](#)). The new snapshot overwrites the previously written data. If the application terminates abnormally, this file will contain the latest log messages. Memory output is not recommended for processors with a CPU frequency lower than 600 MHz.

---

Note: If the file specified as the memory file is located on a network drive, an application does not create a snapshot file (with the extension \*.memory.log).

---

**memory-storage-size**

Default Value: 2 MB

Valid Values:

<number> KB or <number>    The size of the memory output, in kilobytes.  
The minimum value is 128 KB.

<number> MB                    The size of the memory output, in megabytes.  
The maximum value is 64 MB.

Changes Take Effect: When memory output is created

Specifies the buffer size for log output to the memory, if configured. See also “Log Output Options” on [page 144](#).

**spool**

Default Value: The application’s working directory

Valid Values: <path> (the folder, with the full path to it)

Changes Take Effect: Immediately

Specifies the folder, including full path to it, in which an application creates temporary files related to network log output. If you change the option value while the application is running, the change does not affect the currently open network output.

**compatible-output-priority**

Default Value: false

Valid Values:

true                    The log of the level specified by “Log Output Options” is sent to the specified output.

false                    The log of the level specified by “Log Output Options” and higher levels is sent to the specified output.

Changes Take Effect: Immediately

Specifies whether the application uses 6.x output logic. For example, you configure the following options in the `log` section for a 6.x application and for a 7.x application:

```
[log]
verbose = all
debug = file1
standard = file2
```

The log file content of a 6.x application is as follows:

- `file1` contains Debug messages only.
- `file2` contains Standard messages only.

The log file content of a 7.x application is as follows:

- `file1` contains Debug, Trace, Interaction, and Standard messages.
- `file2` contains Standard messages only.

If you set `compatible-output-priority` to `true` in the 7.x application, its log file content will be the same as for the 6.x application.

---

**Warning!** Genesys does not recommend changing the default value of the `compatible-output-priority` option unless you have specific reasons to use the 6.x log output logic—that is, to mimic the output priority as implemented in releases 6.x. Setting this option to `true` affects log consistency.

---

## Log Output Options

To configure log outputs, set log level options ([all](#), [standard](#), [interaction](#), [trace](#), and/or [debug](#)) to the desired types of log output (stdout, stderr, network, memory, and/or [filename], for log file output).

You can use:

- One log level option to specify different log outputs.
- One log output type for different log levels.
- Several log output types simultaneously, to log events of the same or different log levels.

You must separate the log output types by a comma when you are configuring more than one output for the same log level. See “Examples” on [page 148](#).

---

**Note:** The log output options are activated according to the setting of the [verbose](#) configuration option.

---



---

**Warnings!**

- If you direct log output to a file on the network drive, an application does not create a snapshot log file (with the extension \*.snapshot.log) in case it terminates abnormally.
  - Directing log output to the console (by using the stdout or stderr settings) can affect application performance. Avoid using these log output settings in a production environment.
- 

**all**

Default Value: No default value

Valid Values (log output types):

stdout	Log events are sent to the Standard output (stdout).
stderr	Log events are sent to the Standard error output (stderr).
network	Log events are sent to Message Server, which can reside anywhere on the network. Message Server stores the log events in the Log Database.  Setting the all log level option to the network output enables an application to send log events of the Standard, Interaction, and Trace levels to Message Server. Debug-level log events are neither sent to Message Server nor stored in the Log Database.
memory	Log events are sent to the memory output on the local disk. This is the safest output in terms of the application performance.
[filename]	Log events are stored in a file with the specified name. If a path is not specified, the file is created in the application's working directory.

Changes Take Effect: Immediately

Specifies the outputs to which an application sends all log events. The log output types must be separated by a comma when more than one output is configured. For example:

```
all = stdout, logfile
```

---

Note: To ease the troubleshooting process, consider using unique names for log files that different applications generate.

---

**standard**

Default Value: No default value

Valid Values (log output types):

stdout	Log events are sent to the Standard output (stdout).
stderr	Log events are sent to the Standard error output (stderr).
network	Log events are sent to Message Server, which can reside anywhere on the network. Message Server stores the log events in the Log Database.

memory	Log events are sent to the memory output on the local disk. This is the safest output in terms of the application performance.
[file name]	Log events are stored in a file with the specified name. If a path is not specified, the file is created in the application's working directory.

Changes Take Effect: Immediately

Specifies the outputs to which an application sends the log events of the Standard level. The log output types must be separated by a comma when more than one output is configured. For example:

```
standard = stderr, network
```

### interaction

Default Value: No default value

Valid Values (log output types):

stdout	Log events are sent to the Standard output (stdout).
stderr	Log events are sent to the Standard error output (stderr).
network	Log events are sent to Message Server, which can reside anywhere on the network. Message Server stores the log events in the Log Database.
memory	Log events are sent to the memory output on the local disk. This is the safest output in terms of the application performance.
[file name]	Log events are stored in a file with the specified name. If a path is not specified, the file is created in the application's working directory.

Changes Take Effect: Immediately

Specifies the outputs to which an application sends the log events of the Interaction level and higher (that is, log events of the Standard and Interaction levels). The log outputs must be separated by a comma when more than one output is configured. For example:

```
interaction = stderr, network
```

### trace

Default Value: No default value

Valid Values (log output types):

stdout	Log events are sent to the Standard output (stdout).
stderr	Log events are sent to the Standard error output (stderr).
network	Log events are sent to Message Server, which can reside anywhere on the network. Message Server stores the log events in the Log Database.
memory	Log events are sent to the memory output on the local disk. This is the safest output in terms of the application performance.
[file name]	Log events are stored in a file with the specified name. If a path is not specified, the file is created in the application's working directory.

Changes Take Effect: Immediately

Specifies the outputs to which an application sends the log events of the Trace level and higher (that is, log events of the Standard, Interaction, and Trace levels). The log outputs must be separated by a comma when more than one output is configured. For example:

```
trace = stderr, network
```

## debug

Default Value: No default value

Valid Values (log output types):

stdout	Log events are sent to the Standard output (stdout).
stderr	Log events are sent to the Standard error output (stderr).
memory	Log events are sent to the memory output on the local disk. This is the safest output in terms of the application performance.
[filename]	Log events are stored in a file with the specified name. If a path is not specified, the file is created in the application's working directory.

Changes Take Effect: Immediately

Specifies the outputs to which an application sends the log events of the Debug level and higher (that is, log events of the Standard, Interaction, Trace, and Debug levels). The log output types must be separated by a comma when more than one output is configured—for example:

```
debug = stderr, /usr/local/genesys/logfile
```

---

Note: Debug-level log events are never sent to Message Server or stored in the Log Database.

---

## Log File Extensions

You can use the following file extensions to identify log files that an application creates for various types of output:

- \*.log—Assigned to log files when you configure output to a log file. For example, if you set `standard = confservlog` for Configuration Server, it prints log messages into a text file called `confservlog.<time_stamp>.log`.
- \*.qsp—Assigned to temporary (spool) files when you configure output to the network but the network is temporarily unavailable. For example, if you set `standard = network` for Configuration Server, it prints log messages into a file called `confserv.<time_stamp>.qsp` during the time the network is not available.
- \*.snapshot.log—Assigned to files that contain the output snapshot when you configure output to a log file. The file contains the last log messages that an application generates before it terminates abnormally. For example,

if you set `standard = confserv log` for Configuration Server, it prints the last log message into a file called `confserv. <time_stamp>. snapshot. log` in case of failure.

---

Note: Provide `*. snapshot. log` files to Genesys Technical Support when reporting a problem.

---

- `*. memory. log`—Assigned to log files that contain the memory output snapshot when you configure output to memory and redirect the most recent memory output to a file. For example, if you set `standard = memory` and `memory = confserv` for Configuration Server, it prints the latest memory output to a file called `confserv. <time_stamp>. memory. log`.

## Examples

This section presents examples of a log section that you might configure for an application when that application is operating in production mode and in two lab modes, debugging and troubleshooting.

### Production Mode Log Section

```
[log]
verbose = standard
standard = network, logfile
```

With this configuration, an application only generates the log events of the Standard level and sends them to Message Server, and to a file named `logfile`, which the application creates in its working directory. Genesys recommends that you use this or a similar configuration in a production environment.

---

Warning! Directing log output to the console (by using the `stdout` or `stderr` settings) can affect application performance. Avoid using these log output settings in a production environment.

---

### Lab Mode Log Section

```
[log]
verbose = all
all = stdout, /usr/local/genesys/logfile
trace = network
```

With this configuration, an application generates log events of the Standard, Interaction, Trace, and Debug levels, and sends them to the standard output and to a file named `logfile`, which the application creates in the `/usr/local/genesys/` directory. In addition, the application sends log events of the Standard, Interaction, and Trace levels to Message Server. Use this configuration to test new interaction scenarios in a lab environment.

## Failure-Troubleshooting Log Section

```
[log]
verbose = all
standard = network
all = memory
memory = logfile
memory-storage-size = 32 MB
```

With this configuration, an application generates log events of the Standard level and sends them to Message Server. It also generates log events of the Standard, Interaction, Trace, and Debug levels, and sends them to the memory output. The most current log is stored to a file named `logfile`, which the application creates in its working directory. Increased memory storage allows an application to save more of the log information generated before a failure. Use this configuration when trying to reproduce an application's failure. The memory log file will contain a snapshot of the application's log at the moment of failure; this should help you and Genesys Technical Support identify the reason for the failure.

---

Note: If you are running an application on UNIX, and you do not specify any files in which to store the memory output snapshot, a core file that the application produces before terminating contains the most current application log. Provide the application's core file to Genesys Technical Support when reporting a problem.

---

## Debug Log Options

The following options enable you to generate Debug logs containing information about specific operations of an application.

### **x-conn-debug-open**

Default Value: 0

Valid Values:

- 0 Log records are not generated.
- 1 Log records are generated.

Changes Take Effect: After restart

Generates Debug log records about “open connection” operations of the application.

---

Warning! Use this option only when requested by Genesys Technical Support.

---

**x-conn-debug-select**

Default Value: 0

Valid Values:

- 0 Log records are not generated.
- 1 Log records are generated.

Changes Take Effect: After restart

Generates Debug log records about “socket select” operations of the application.

---

Warning! Use this option only when requested by Genesys Technical Support.

---

**x-conn-debug-timers**

Default Value: 0

Valid Values:

- 0 Log records are not generated.
- 1 Log records are generated.

Changes Take Effect: After restart

Generates Debug log records about the timer creation and deletion operations of the application.

---

Warning! Use this option only when requested by Genesys Technical Support.

---

**x-conn-debug-write**

Default Value: 0

Valid Values:

- 0 Log records are not generated.
- 1 Log records are generated.

Changes Take Effect: After restart

Generates Debug log records about “write” operations of the application.

---

Warning! Use this option only when requested by Genesys Technical Support.

---

**x-conn-debug-security**

Default Value: 0

Valid Values:

- 0 Log records are not generated.
- 1 Log records are generated.

Changes Take Effect: After restart

Generates Debug log records about security-related operations, such as Transport Layer Security and security certificates.

---

Warning! Use this option only when requested by Genesys Technical Support.

---

### **x-conn-debug-api**

Default Value: 0

Valid Values:

- 0 Log records are not generated.
- 1 Log records are generated.

Changes Take Effect: After restart

Generates Debug log records about connection library function calls.

---

Warning! Use this option only when requested by Genesys Technical Support.

---

### **x-conn-debug-dns**

Default Value: 0

Valid Values:

- 0 Log records are not generated.
- 1 Log records are generated.

Changes Take Effect: After restart

Generates Debug log records about DNS operations.

---

Warning! Use this option only when requested by Genesys Technical Support.

---

### **x-conn-debug-all**

Default Value: 0

Valid Values:

- 0 Log records are not generated.
- 1 Log records are generated.

Changes Take Effect: After restart

Generates Debug log records about open connection, socket select, timer creation and deletion, write, security-related, and DNS operations, and connection library function calls. This option is the same as enabling or disabling all of the previous x-conn-debug-<op type> options.

---

Warning! Use this option only when requested by Genesys Technical Support.

---

---

## Log-Extended Section

This section must be called `log-extended`.

### **level-reassign-<eventID>**

Default Value: Default value of log event <eventID>

Valid Values:

<code>alarm</code>	The log level of log event <eventID> is set to Alarm.
<code>standard</code>	The log level of log event <eventID> is set to Standard.
<code>interaction</code>	The log level of log event <eventID> is set to Interaction.
<code>trace</code>	The log level of log event <eventID> is set to Trace.
<code>debug</code>	The log level of log event <eventID> is set to Debug.
<code>none</code>	Log event <eventID> is not recorded in a log.

Changes Take Effect: Immediately

Specifies a log level for log event <eventID> that is different than its default level, or disables log event <eventID> completely. If no value is specified, the log event retains its default level. This option is useful when you want to customize the log level for selected log events.

These options can be deactivated with the option `level-reassign-disable` (see [page 154](#)).

---

**Warning!** Use caution when making these changes in a production environment.

Depending on the log configuration, changing the log level to a higher priority may cause the log event to be logged more often or to a greater number of outputs. This could affect system performance.

Likewise, changing the log level to a lower priority may cause the log event to be not logged at all, or to be not logged to specific outputs, thereby losing important information. The same applies to any alarms associated with that log event.

---

In addition to the preceding warning, take note of the following:

- Logs can be customized only by release 7.6 or later applications.
- When the log level of a log event is changed to any level except none, it is subject to the other settings in the `[log]` section at its new level. If set to none, it is not logged and is therefore not subject to any log configuration.
- Using this feature to change the log level of a log changes only its priority; it does not change how that log is treated by the system. For example, increasing the priority of a log to `Alarm` level does not mean that an alarm will be associated with it.



- Each application in a High Availability (HA) pair can define its own unique set of log customizations, but the two sets are not synchronized with each other. This can result in different log behavior depending on which application is currently in primary mode.
- This feature is not the same as a similar feature in Universal Routing Server (URS) release 7.2 or later. In this Framework feature, the priority of log events are customized. In the URS feature, the priority of debug messages only are customized. Refer to the *URS 7.6 Reference Manual* for more information about the URS feature.
- You cannot customize any log event that is not in the unified log record format. Log events of the Alarm, Standard, Interaction, and Trace levels feature the same unified log record format.

### Example

This is an example of using customized log level settings, subject to the following log configuration:

```
[log]
verbose=interaction
all=stderr
interaction=log_file
standard=network
```

Before the log levels of the log are changed:

- Log event 1020, with default level standard, is output to stderr and log\_file, and sent to Message Server.
- Log event 2020, with default level standard, is output to stderr and log\_file, and sent to Message Server.
- Log event 3020, with default level trace, is output to stderr.
- Log event 4020, with default level debug, is output to stderr.

Extended log configuration section:

```
[log-extended]
level-reassign-1020=none
level-reassign-2020=interaction
level-reassign-3020=interaction
level-reassign-4020=standard
```

After the log levels are changed:

- Log event 1020 is disabled and not logged.
- Log event 2020 is output to stderr and log\_file.
- Log event 3020 is output to stderr and log\_file.
- Log event 4020 is output to stderr and log\_file, and sent to Message Server.

**level-reassign-disable**

Default Value: false

Valid Values: true, false

Changes Take Effect: Immediately

When this option is set to true, the original (default) log level of all log events in the [log-extended] section are restored. This option is useful when you want to use the default levels, but not delete the customization statements.

---

## Log-Filter Section

This section must be called `log-filter`.

**default-filter-type**

Default Value: copy

Valid Values:

copy	The keys and values of the KVList pairs are copied to the log.
hide	The keys of the KVList pairs are copied to the log; the values are replaced with strings of asterisks.
skip	The KVList pairs are not copied to the log.

Changes Take Effect: Immediately

Specifies the default way of presenting KVList information (including UserData, Extensions, and Reasons) in the log. The selected option will be applied to the attributes of all KVList pairs except the ones that are explicitly defined in the `log-filter-data` section.

**Example**

```
[log-filter]
default-filter-type=copy
```

Here is an example of a log using the default log filter settings:

```
message RequestSetCallInfo
  AttributeConsul tType      3
  AttributeOriginal ConnID   008b012ece62c8be
  AttributeUpdateRevision   2752651
  AttributeUserData          [111] 00 27 01 00
                             'DNIS'          '8410'
                             'PASSWORD'       '111111111'
                             'RECORD_ID'      '8313427'
  AttributeConnID           008b012ece62c922
```

---

## Log-Filter-Data Section

This section must be called `log-filter-data`.

### <key name>

Default Value: `copy`

Valid Values:

<code>copy</code>	The key and value of the given KVList pair are copied to the log.
<code>hide</code>	The key of the given KVList pair is copied to the log; the value is replaced with a string of asterisks.
<code>skip</code>	The KVList pair is not copied to the log.

Changes Take Effect: Immediately

Specifies the way of presenting the KVList pair defined by the key name in the log. Specification of this option supersedes the default way of KVList presentation as defined in the `log-filter` section for the given KVList pair.

---

Note: If the T-Server common configuration option `log-trace-flag` is set to `-udata`, it will disable writing of user data to the log regardless of settings of any options in the `log-filter-data` section.

---

### Example

```
[log-filter-data]
PASSWORD=hide
```

Here is an example of the log with option `PASSWORD` set to `hide`:

```
message RequestSetCallInfo
  AttributeConsultType      3
  AttributeOriginalConnID   008b012ece62c8be
  AttributeUpdateRevision   2752651
  AttributeUserData         [111] 00 27 01 00
                           'DNIS'      '8410'
                           'PASSWORD'   '*****'
                           'RECORD_ID'  '8313427'
  AttributeConnID           008b012ece62c922
```

---

## Common Section

This section must be called `common`.

**enable-async-dns**

Default Value: off

Valid Values:

- off Disables asynchronous processing of DNS requests.
- on Enables asynchronous processing of DNS requests.

Changes Take Effect: Immediately

Enables the asynchronous processing of DNS requests such as, for example, host-name resolution.

---

Warnings! Use this option only when requested by Genesys Technical Support.

Use this option only with T-Servers.

---

**rebind-delay**

Default Value: 10

Valid Values: 0–600

Changes Take Effect: After restart

Specifies the delay, in seconds, between socket-bind operations that are being executed by the server. Use this option if the server has not been able to successfully occupy a configured port.

---

Warning! Use this option only when requested by Genesys Technical Support.

---



---

## Changes from 7.5 to 7.6

Table 17 provides all the changes to common configuration options between release 7.5 and the latest 7.6 release.

**Table 17: Common Log Option Changes from 7.5 to 7.6**

Option Name	Option Values	Type of Change	Details
<b>Log Section</b>			
Use the following options only when requested by Genesys Technical Support.			
x-conn-debug-open	0, 1	New	See the description on <a href="#">page 149</a> .
x-conn-debug-select	0, 1	New	See the description on <a href="#">page 150</a> .

**Table 17: Common Log Option Changes from 7.5 to 7.6 (Continued)**

Option Name	Option Values	Type of Change	Details
x-conn-debug-timers	0, 1	New	See the description on <a href="#">page 150</a> .
x-conn-debug-write	0, 1	New	See the description on <a href="#">page 150</a> .
x-conn-debug-security	0, 1	New	See the description on <a href="#">page 150</a> .
x-conn-debug-api	0, 1	New	See the description on <a href="#">page 151</a> .
x-conn-debug-dns	0, 1	New	See the description on <a href="#">page 151</a> .
x-conn-debug-all	0, 1	New	See the description on <a href="#">page 151</a> .
<b>Extended Log Section (New Section)</b>			
level-reassign-<eventID>	alarm, standard, interaction, trace, debug, none	New	See the description on <a href="#">page 152</a> .
level-reassign-disable	true, false	New	See the description on <a href="#">page 154</a> .
<b>Common Section (New Section)</b>			
Use the following options only when requested by Genesys Technical Support.			
enable-async-dns	off, on	New	Use only with T-Servers. See the description on <a href="#">page 156</a> .
rebind-delay	10–600	New	See the description on <a href="#">page 156</a> .





Chapter

# 8

## T-Server Common Configuration Options

This chapter describes the configuration options that are common to all T-Server types. It contains the following sections:

- [Setting Configuration Options, page 159](#)
- [Mandatory Options, page 160](#)
- [T-Server Section, page 160](#)
- [License Section, page 165](#)
- [Agent-Reservation Section, page 167](#)
- [Multi-Site Support Section, page 168](#)
- [Translation Rules Section, page 177](#)
- [Backup-Synchronization Section, page 178](#)
- [Call-Cleanup Section, page 179](#)
- [Security Section, page 181](#)
- [Timeout Value Format, page 181](#)
- [Changes from Release 7.5 to 7.6, page 182](#)

T-Server also supports common log options described in Chapter 7, “Common Configuration Options,” on [page 137](#).

---

## Setting Configuration Options

Unless it is specified otherwise, you set configuration options in Configuration Manager in the corresponding sections on the Options tab for the T-Server Application object.

---

# Mandatory Options

Except as noted for certain environments, the configuration of common options is not required for basic T-Server operation.

---

## T-Server Section

The T-Server section contains the configuration options that are used to support the core features common to all T-Servers.

**TServer** This section must be called TServer.

### **ani-distribution**

Default Value: inbound-calls-only

Valid Values: inbound-calls-only, all-calls, suppressed

Changes Take Effect: Immediately

Controls the distribution of the ANI information in TEvent messages. When this option is set to all-calls, the ANI attribute will be reported for all calls for which it is available. When this option is set to suppressed, the ANI attribute will not be reported for any calls. When this option is set to inbound-calls-only, the ANI attribute will be reported for inbound calls only.

### **background-processing**

Default Value: false

Valid Values: true, false

Changes Take Effect: Immediately

When set to true, T-Server processes all client requests in the background, giving higher priority to the rest of the messages. This ensures that it processes these messages without any significant delay.

With Background Processing functionality enabled, T-Server processes all switch messages immediately and waits until there are no switch messages before processing the message queue associated with T-Server client requests. T-Server reads all connection sockets immediately and places client requests in the input buffer, which prevents T-Server clients from disconnecting because of configured timeouts.

When T-Server processes client requests from the message queue, requests are processed in the order in which T-Server received them.

When set to false, T-Server processes multiple requests from one T-Server client before proceeding to the requests from another T-Server client, and so on.

---

Note: Use of this option can negatively impact T-Server processing speed.

---



**background-timeout**

Default Value: 60 msec

Valid Values: See “Timeout Value Format” on [page 181](#).

Changes Take Effect: Immediately

Specifies the time interval that T-Server waits before processing client requests in background mode. You must set the `background-processing` option to `true` in order for this option to take effect.

**check-tenant-profile**

Default Value: `false`

Valid Values: `true`, `false`

Changes Take Effect: For the next connected client

When set to `true`, T-Server checks whether a client provides the correct name and password of a tenant. If it does, T-Server allows that client to register DNs that are included in the switch configuration in the Configuration Database, but it does not allow the client to register DNs that are *not* included in the switch configuration.

---

Note: To make T-Server compatible with 3.x and 5.x clients, set the `check-tenant-profile` option to `false`.

---

**compatibility-port**

Default Value: 0

Valid Values: 0 or any valid TCP/IP port

Changes Take Effect: After T-Server has reconnected to the link

Specifies the TCP/IP port that 3.x clients use to establish connections with T-Server. Connections to this port are accepted only if T-Server has a connection with the switch. If set to 0 (zero), this port is not used.

---

Note: Starting with release 7.5, 3.x clients are no longer supported. You can use this option for backward compatibility with the previous T-Server releases.

---

**consult-user-data**

Default Value: separate

Valid Values:

separate	Stores user data for original and consultation calls in separate structures. The data attached to the original call is available for review or changes only to the parties of that call. The data attached to the consultation call is available only to the parties of the consultation call.
inherited	Copies user data from an original call to a consultation call when the consultation call is created; thereafter, stores user data separately for the original and the consultation call. Changes to the original call's user data are not available to the parties of the consultation call, and vice versa.
joint	Stores user data for an original call and a consultation call in one structure. The user data structure is associated with the original call, but the parties of both the original and consultation calls can see and make changes to the common user data.

Changes Take Effect: For the next consultation call created

Specifies the method for handling user data in a consultation call.

---

Note: A T-Server client can also specify the `consult-user-data` mode in the `Extensions` attribute `ConsultUserData` key for a conference or transfer request. If it is specified, the method of handling user data is based on the value of the `ConsultUserData` key-value pair of the request and takes precedence over the T-Server `consult-user-data` option. If it is not specified in the client request, the value specified in the `consult-user-data` option applies.

---

**customer-id**

Default Value: No default value. (A value must be specified for a multi-tenant environment.)

Valid Values: Any character string

Changes Take Effect: Immediately

Identifies the T-Server customer. You must set this option to the name of the tenant that is using this T-Server. You must specify a value for this option if you are working in a multi-tenant environment.

---

Note: Do not configure the `customer-id` option for single-tenant environments.

---

**log-trace-flags**

Default Value: +i scc, +cfg\$dn, -cfgserv, +passwd, +udata, -devl ink, -sw, -req, -cal lops, -conn, -cl ient

Valid Values (in any combination):

+/-i scc	Turns on/off the writing of information about Inter Server Call Control (ISCC) transactions.
+/-cfg\$dn	Turns on/off the writing of information about DN configuration.
+/-cfgserv	Turns on/off the writing of messages from Configuration Server.
+/-passwd	Turns on/off the writing of information about passwords.
+/-udata	Turns on/off the writing of attached data.
+/-devl ink	Turns on/off the writing of information about the link used to send CTI messages to the switch (for multilink environments).
+/-sw	Reserved by Genesys Engineering.
+/-req	Reserved by Genesys Engineering.
+/-cal lops	Reserved by Genesys Engineering.
+/-conn	Reserved by Genesys Engineering.
+/-cl ient	Turns on/off the writing of additional information about the client's connection.

Changes Take Effect: Immediately

Specifies—using a space-, comma- or semicolon-separated list—the types of information that are written to the log files.

**management-port**

Default Value: 0

Valid Values: 0 or any valid TCP/IP port

Changes Take Effect: After T-Server is restarted

Specifies the TCP/IP port that management agents use to communicate with T-Server. If set to 0 (zero), this port is not used.

**merged-user-data**

Default Value: mai n-onl y

Valid Values:

mai n-onl y	T-Server attaches user data from the remaining call only.
merged-onl y	T-Server attaches user data from the merging call.
merged-over-mai n	T-Server attaches user data from the remaining and the merging call. In the event of equal keys, T-Server uses data from the merging call.
mai n-over-merged	T-Server attaches data from the remaining and the merging call. In the event of equal keys, T-Server uses data from the remaining call.

Changes Take Effect: Immediately

Specifies the data that is attached to the resulting call after a call transfer, conference, or merge completion.

---

Note: The option setting does not affect the resulting data for merging calls if the `consult-user-data` option is set to `joint`. (See “consult-user-data” on [page 162](#).)

---

### **server-id**

Default Value: An integer equal to the `ApplicationDBID` as reported by Configuration Server

Valid Values: Any integer from 0–16383

Changes Take Effect: Immediately

Specifies the Server ID that T-Server uses to generate Connection IDs and other unique identifiers. In a multi-site environment, you must assign each T-Server a unique Server ID, in order to avoid confusion in reporting applications and T-Server behavior.

Configuration of this option is necessary for Framework environments in which there are two or more instances of the Configuration Database.

---

Note: If you do not specify a value for this option, T-Server populates it with the `ApplicationDBID` as reported by Configuration Server. Each data object in the Configuration Database is assigned a separate DBID that maintains a unique Server ID for each T-Server configured in the database.

---

---

Warning! Genesys does not recommend using multiple instances of the Configuration Database.

---

### **user-data-limit**

Default Value: 16000

Valid Values: 0–65535

Changes Take Effect: Immediately

Specifies the maximum size (in bytes) of user data in a packed format.

---

Note: When T-Server works in mixed 7.x/6.x environment, the value of this option must not exceed the default value of 16000 bytes; otherwise, 6.x T-Server clients might fail.

---

---

## License Section

The License section contains the configuration options that are used to configure T-Server licenses. They set the upper limit of the seat-related DN licenses (`tserver_sdn`) that T-Server tries to check out from a license file. See “License Checkout” on [page 166](#).

**license** This section must be called `license`.

---

Notes: T-Server also supports the `license-file` option described in the *Genesys 7 Licensing Guide*.

The `license` section is not applicable to Network T-Server for DTAG.

---

If you use two or more T-Servers, and they share licenses, you must configure the following options in the `license` section of the T-Servers.

### **num-of-licenses**

Default Value: 0 or `max` (all available licenses)

Valid Values: 0 or string `max`

Changes Take Effect: Immediately

Specifies how many DN licenses T-Server checks out. T-Server treats a value of 0 (zero) the same as it treats `max`—that is, it checks out all available licenses.

The sum of all `num-of-licenses` values for all concurrently deployed T-Servers must not exceed the number of seat-related DN licenses (`tserver_sdn`) in the corresponding license file. The primary and backup T-Servers share the same licenses, and therefore they need to be counted only once. T-Server checks out the number of licenses indicated by the value for this option, regardless of the number actually in use.

### **num-sdn-licenses**

Default Value: 0 or `max` (All DN licenses are seat-related)

Valid Values: String `max` (equal to the value of `num-of-licenses`), or any integer from 0–9999

Changes Take Effect: Immediately

Specifies how many seat-related licenses T-Server checks out. A value of 0 (zero) means that T-Server does not grant control of seat-related DN to any client, and it does not look for seat-related DN licenses at all.

The sum of all `num-sdn-licenses` values for all concurrently deployed T-Servers must not exceed the number of seat-related DN licenses (`tserver_sdn`) in the corresponding license file. The primary and backup T-Servers share the same licenses, and therefore they need to be counted only once. T-Server checks out the number of licenses indicated by the value for this option, regardless of the number actually in use.

Notes: For Network T-Servers, Genesys recommends setting this option to 0.

Be sure to configure in the Configuration Database all the DN's that agents use (Extensions and ACD Positions) and that T-Server should control. For further information, see Chapter 2, "DN's and Agent Logins," [page 43](#).

## License Checkout

[Table 18](#) shows how to determine the number of seat-related DN licenses that T-Server attempts to check out. See the examples on [page 167](#).

**Table 18: License Checkout Rules**

Options Settings <sup>a</sup>		License Checkout <sup>b</sup>
num-of-licenses	num-sdn-licenses	Seat-related DN licenses
max (or 0)	max	all available
max (or 0)	x	x
max (or 0)	0	0
x	max	x
x	y	min (y, x)
x	0	0

- In this table, the following conventions are used: x and y - are positive integers; max is the maximum number of licenses that T-Server can check out; min (y, x) is the lesser of the two values defined by y and x, respectively.
- The License Checkout column shows the number of licenses that T-Server attempts to check out. The actual number of licenses will depend on the licenses' availability at the time of checkout, and it is limited to 9999.

## Examples

This section presents examples of option settings in the License section.

## Example 1

If...		Then...
Options Settings	License File Settings	License Checkout
num-of-licences = max	tserver_sdn = 500	500 seat-related DNs
num-sdn-licences = max		

## Example 2

If...		Then...
Options Settings	License File Settings	License Checkout
num-of-licences = 1000	tserver_sdn = 500	500 seat-related DNs
num-sdn-licences = max		

## Example 3

If...		Then...
Options Settings	License File Settings	License Checkout
num-of-licences = 1000	tserver_sdn = 600	400 seat-related DNs
num-sdn-licences = 400		

## Example 4

If...		Then...
Options Settings	License File Settings	License Checkout
num-of-licences = max	tserver_sdn = 5000	1000 seat-related DNs
num-sdn-licences = 1000		

---

## Agent-Reservation Section

The Agent-Reservation section contains the configuration options that are used to customize the T-Server Agent Reservation feature. See “Agent Reservation” on [page 30](#) section for details on this feature.

**agent-reservation** This section must be called `agent-reservation`.

---

Note: The Agent Reservation functionality is currently a software-only feature that is used to coordinate multiple client applications. This feature does not apply to multiple direct or ACD-distributed calls.

---

### **reject-subsequent-request**

Default Value: `true`

Valid Values:

`true` T-Server rejects subsequent requests.

`false` A subsequent request prolongs the current reservation made by the same client application for the same agent.

Changes Take Effect: Immediately

Specifies whether T-Server rejects subsequent requests from the same client application, for an agent reservation for the same Agent object that is currently reserved.

---

Note: Genesys does not recommend setting this option to `false` in a multi-site environment in which remote locations use the Agent-Reservation feature.

---

### **request-collection-time**

Default Value: `100 msec`

Valid Values: See “Timeout Value Format” on [page 181](#).

Changes Take Effect: Immediately

Specifies the interval that agent reservation requests are collected before a reservation is granted. During this interval, agent reservation requests are delayed, in order to balance successful reservations between client applications (for example, Universal Routing Servers).

### **reservation-time**

Default Value: `10000 msec`

Valid Values: See “Timeout Value Format” on [page 181](#).

Changes Take Effect: Immediately

Specifies the default interval that an AgentDN is reserved to receive a routed call from a remote T-Server. During this interval, the agent cannot be reserved again.

---

## Multi-Site Support Section

The Multi-Site Support section contains the configuration options that are used to support multi-site environments with the Inter Server Call Control (ISCC)



feature. The configuration options in this section are grouped with related options that support the same functionality (such as those for Transfer Connect Service or the ISCC/Call Overflow feature).

**extrouter** This section must be called `extrouter`.

For a description of the ways in which T-Server supports multi-site configurations and for an explanation of the configuration possibilities for a multi-site operation, see the “[Multi-Site Support](#)” chapter.

---

Note: In a multi-site environment, you must configure the `timeout`, `cast-type`, and `default t-dn` options with the same value for both the primary and backup T-Servers. If you do not do this, the value specified for the backup T-Server overrides the value specified for the primary T-Server.

---

### **match-call-once**

Default Value: `true`

Valid Values:

- |                    |  |
|--------------------|--|
| <code>true</code>  | ISCC does not process (match) an inbound call that has already been processed (matched).                                 |
| <code>false</code> | ISCC processes (attempts to match) a call as many times as it arrives at an ISCC resource or multi-site-transfer target. |

Changes Take Effect: Immediately

Specifies how many times ISCC processes an inbound call when it arrives at an ISCC resource. When set to `false`, ISCC processes (attempts to match) the call even if it has already been processed.

---

Note: Genesys does not recommend changing the default value of the `match-call-once` option to `false` unless you have specific reasons. Setting this option to `false` may lead to excessive or inconsistent call data updates.

---

### **reconnect-tout**

Default Value: `5 sec`

Valid Values: See “[Timeout Value Format](#)” on [page 181](#).

Changes Take Effect: At the next reconnection attempt

Specifies the time interval after which a remote T-Server attempts to connect to this T-Server after an unsuccessful attempt or a lost connection. The number of attempts is unlimited. At startup, T-Server immediately attempts the first connection, without this timeout.

**report-connid-changes**

Default Value: false

Valid Values:

- |       |                                     |
|-------|-------------------------------------|
| true  | EventPartyChanged is generated.     |
| false | EventPartyChanged is not generated. |

Changes Take Effect: Immediately

Specifies whether the destination T-Server generates EventPartyChanged for the incoming call when the resulting ConnID attribute is different from the ConnID attribute of an instance of the same call at the origination location.

**use-data-from**

Default Value: active

Valid Values:

- |                           |  |
|---------------------------|--|
| active                    | The values of UserData and ConnID attributes are taken from the consultation call.   |
| original                  | The values of UserData and ConnID attributes are taken from the original call.   |
| active-data-original-call | The value of the UserData attribute is taken from the consultation call and the value of ConnID attribute is taken from the original call.   |
| current                   | If the value of current is specified, the following occurs: <ul style="list-style-type: none"> <li>• Before the transfer or conference is completed, the UserData and ConnID attributes are taken from the consultation call.</li> <li>• After the transfer or conference is completed, EventPartyChanged is generated, and the UserData and ConnID are taken from the original call.</li> </ul> |

Changes Take Effect: Immediately

Specifies the call from which the values for the UserData and ConnID attributes are taken for a consultation call that is routed or transferred to a remote location.

---

Note: For compatibility with the previous T-Server releases, you can use the values `consult`, `main`, and `consult-user-data` for this option. These are aliases for `active`, `original`, and `current`, respectively.

---

**ISCC Transaction Options****cast-type**

Default Value: route, route-uuI, reroute, direct-callid, direct-uuI, direct-network-callid, direct-notoken, direct-digits, direct-ani, dnIs-pool, pullback

**Valid Values:** route, route-uuI, reroute, direct-callId, direct-uuI, direct-network-callId, direct-notoken, direct-digits, direct-ani, dns-pool, pullback

**Changes Take Effect:** For the next request for the remote service

**Specifies—**using a space-, comma- or semicolon-separated list—the routing types that can be performed for this T-Server.

The valid values provide for a range of mechanisms that the ISCC feature can support with various T-Servers, in order to pass call data along with calls between locations.

Because switches of different types provide calls with different sets of information parameters, some values might not work with your T-Server. See Table 3 on page 65 for information about supported transaction types by a specific T-Server. The “Multi-Site Support” chapter also provides detailed descriptions of all transaction types.

---

**Notes:** For compatibility with the previous T-Server releases, you can use the direct value for this option. This is an alias for direct-callId.

An alias, route-notoken, has been added to the route value.

---

### **default-dn**

**Default Value:** No default value

**Valid Values:** Any DN

**Changes Take Effect:** For the next request for the remote service

**Specifies** the DN to which a call is routed when a Destination DN (AttributeOtherDN) is not specified in the client’s request for routing. If neither this option nor the client’s request contains the destination DN, the client receives EventError.

---

**Note:** This option is used only for requests with route types route, route-uuI, direct-callId, direct-network-callId, direct-uuI, direct-notoken, direct-digits, and direct-ani.

---

### **direct-digits-key**

**Default Value:** CDT\_Track\_Num

**Valid Values:** Any valid key name of a key-value pair from the UserData attribute

**Changes Take Effect:** For the next request for the remote service

**Specifies** the name of a key from the UserData attribute that contains a string of digits that are used as matching criteria for remote service requests with the direct-digits routing type.

---

Note: For compatibility with the previous T-Server releases, this configuration option has an alias value of `cdt-udata-key`.

---

### **dn-for-unexpected-calls**

Default Value: No default value

Valid Values: Any DN

Changes Take Effect: Immediately

Specifies a default DN for unexpected calls arriving on an External Routing Point.

### **network-request-timeout**

Default Value: 20 sec

Valid Values: See “Timeout Value Format” on [page 181](#).

Changes Take Effect: For the next network request

For a premise T-Server, this option specifies the time interval that the premise T-Server waits for a response, after relaying a `TNetwork<...>` request to the Network T-Server. For a Network T-Server, this option specifies the time interval that the Network T-Server waits for a response from an SCP (Service Control Point), after initiating the processing of the request by the SCP.

When the allowed time expires, the T-Server cancels further processing of the request and generates `EventError`.

### **register-attempts**

Default Value: 5

Valid Values: Any positive integer

Changes Take Effect: For the next registration

Specifies the number of attempts that T-Server makes to register a dedicated External Routing Point.

### **register-tout**

Default Value: 2 sec

Valid Values: See “Timeout Value Format” on [page 181](#).

Changes Take Effect: For the next registration

Specifies the time interval after which T-Server attempts to register a dedicated External Routing Point. Counting starts when the attempt to register a Routing Point fails.

### **request-tout**

Default Value: 20 sec

Valid Values: See “Timeout Value Format” on [page 181](#).

Changes Take Effect: For the next request for remote service

Specifies the time interval that a T-Server at the origination location waits for a notification of routing service availability from the destination location.

Counting starts when the T-Server sends a request for remote service to the destination site.

### **resource-allocation-mode**

Default Value: circular

Valid Values:

- home T-Server takes an alphabetized (or numerically sequential) list of configured DNs and reserves the first available DN from the top of the list for each new request. For example, if the first DN is not available, the second DN is allocated for a new request. If the first DN is freed by the time the next request comes, the first DN is allocated for this next request.
- circular T-Server takes the same list of configured DNs, but reserves a subsequent DN for each subsequent request. For example, when the first request comes, T-Server allocates the first DN; when the second request comes, T-Server allocates the second DN; and so on. T-Server does not reuse the first DN until reaching the end of the DN list.

Changes Take Effect: Immediately

Specifies the manner in which T-Server allocates resources (that is, DNs of the External Routing Point type and Access Resources with Resource Type dn's) for multi-site transaction requests.

### **resource-load-maximum**

Default Value: 0

Valid Values: Any positive integer

Changes Take Effect: Immediately

Specifies the maximum number of ISCC routing transactions that can be concurrently processed at a single DN of the External Routing Point route type. After a number of outstanding transactions at a particular DN of the External Routing Point type reaches the specified number, T-Server considers the DN not available. Any subsequent request for this DN is queued until the number of outstanding transactions decreases. A value of 0 (zero) means that no limitation is set to the number of concurrent transactions at a single External Routing Point. In addition, the 0 value enables T-Server to perform load balancing of all incoming requests among all available External Routing Points, in order to minimize the load on each DN.

### **route-dn**

Default Value: No default value

Valid Values: Any DN

Changes Take Effect: Immediately

Specifies the DN that serves as a Routing Point for the route transaction type in the multiple-to-one access mode.

**timeout**

Default Value: 60 sec

Valid Values: See “Timeout Value Format” on [page 181](#).

Changes Take Effect: For the next request for remote service

Specifies the time interval that the destination T-Server waits for a call routed from the origination location. Counting starts when this T-Server notifies the requesting T-Server about routing service availability. The timeout must be long enough to account for possible network delays in call arrival.

**use-implicit-access-numbers**

Default Value: false

Valid Values: true, false

Changes Take Effect: After T-Server is restarted

Determines whether an External Routing Point in which at least one access number is specified is eligible for use as a resource for calls coming from switches for which an access number is not specified in the External Routing Point. If this option is set to false, the External Routing Point is not eligible for use as a resource for calls coming from such switches. If this option is set to true, an implicit access number for the External Routing Point, composed of the switch access code and the DN number of the External Routing Point, will be used.

---

Note: If an External Routing Point does not have an access number specified, this option will not affect its use.

---

## Transfer Connect Service Options

**tcs-queue**

Default Value: No default value

Valid Values: Any valid DN number

Changes Take Effect: For the next request for the remote service

Specifies the TCS DN number to which a call, processed by the TCS feature, is dialed after the originating external router obtains an access number. This option applies only if the [tcs-use](#) option is activated.

**tcs-use**

Default Value: never

Valid Values:

never                      The TCS feature is not used.

always	The TCS feature is used for every call.
app-defined	In order to use the TCS feature for a multi-site call transfer request, a client application must add a key-value pair with a TC-type key and a nonempty string value to the UserData attribute of the request.

Changes Take Effect: Immediately

Specifies whether the Transfer Connect Service (TCS) feature is used.

---

Note: For compatibility with the previous T-Server releases, you can use the value `up-app-depended` for this option. This is an alias for `app-defined`.

---

## ISCC/COF Options

### **cof-ci-defer-create**

Default Value: 0

Valid Values: See “Timeout Value Format” on [page 181](#).

Changes Take Effect: Immediately

Specifies the time interval that T-Server waits for call data from the switch before generating a negative response for a call data request from a remote T-Server. If T-Server detects the matching call before this timeout expires, it sends the requested data. This option applies only if the `cof-feature` option is set to true.

### **cof-ci-defer-delete**

Default Value: 0

Valid Values: See “Timeout Value Format” on [page 181](#).

Changes Take Effect: Immediately

Specifies the time interval that T-Server waits before deleting call data that might be overflowed. If set to 0, deletion deferring is disabled. This option applies only if the `cof-feature` option is set to true.

### **cof-ci-req-tout**

Default Value: 500 msec

Valid Values: See “Timeout Value Format” on [page 181](#).

Changes Take Effect: For the next COF operation

Specifies the time interval during which T-Server will wait for call data requested with respect to a call originated at another site. After T-Server sends the call data request to remote T-Servers, all events related to this call will be suspended until either the requested call data is received or the specified timeout expires. This option applies only if the `cof-feature` option is set to true.

**cof-ci-wait-all**

Default Value: false

Valid Values:

- true T-Server waits for responses from all T-Servers that might have the requested call data before updating the call data with the latest information.
- false T-Server updates the call data with the information received from the first positive response.

Changes Take Effect: Immediately

Specifies whether T-Server, after sending a request for matching call data, waits for responses from other T-Servers before updating the call data (such as CallHistory, ConnID, and UserData) for a potentially overflowed call. The waiting period is specified by the [cof-ci-req-tout](#) and [cof-rci-tout](#) options. This option applies only if the [cof-feature](#) option is set to true.

**cof-feature**

Default Value: false

Valid Values: true, false

Changes Take Effect: Immediately

Enables or disables the Inter Server Call Control/Call Overflow (ISCC/COF) feature.

**cof-rci-tout**

Default Value: 10 sec

Valid Values: See “Timeout Value Format” on [page 181](#).

Changes Take Effect: For the next COF operation

Specifies the time interval that T-Server waits for call data from other T-Servers’ transactions. Counting starts when [cof-ci-req-tout](#) expires. This option applies only if the [cof-feature](#) option is set to true.

**local-node-id**

Default Value: 0

Valid Values: 0 or any positive integer

Changes Take Effect: Immediately

This option, if enabled, checks all networked calls against the specified NetworkNodeID (the identity of the switch to which the call initially arrived). If the NetworkNodeID is the same as the value of this option, the request for call information is *not* sent. The default value of 0 disables the functionality of this option. To establish an appropriate NetworkNodeID, specify a value other than the default. This option applies only if the [cof-feature](#) option is set to true.

---

Note: This option applies only to T-Server for Nortel Communication Server 2000/2100 (formerly DMS-100).

---



## Event Propagation Option

### **event-propagation**

Default Value: list

Valid Values:

- list Changes in user data and party events are propagated to remote locations through call distribution topology.
- off The feature is disabled. Changes in user data and party events are not propagated to remote locations.

Changes Take Effect: Immediately

Specifies whether the Event Propagation feature is enabled.

## Number Translation Option

### **inbound-translator-<n>**

Default Value: No default value.

Valid Value: Any valid name

Changes Take Effect: Immediately

Specifies the name of another configuration section as the value for the inbound-translator option. For example,

inbound-translator-1 = ani-translator

where ani-translator is the name of the configuration that describes the translation rules for inbound numbers.

---

## Translation Rules Section

The section name is specified by the inbound-translator-<n> option. It contains options that define translation rules for inbound numbers.

You can choose any name for this section, provided that it matches the value of the section. Every option in this section corresponds to a rule and must conform to the format described below. You can configure as many rules as necessary to accommodate your business needs.

### **rule-<n>**

Default Value: No default value

Valid Value: Any valid string in the following format:

in-pattern=<input pattern value>;out-pattern=<output pattern value>

Changes Take Effect: Immediately

Defines a rule to be applied to an inbound number. The two parts of the option value describe the input and output patterns in the rule. When configuring the pattern values, follow the syntax defined in “Using ABNF for Rules” on [page 74](#). See “Configuring Number Translation” on [page 80](#) for examples of

these rules as well as detailed instructions for creating rules for your installation. For example, a value for this configuration option might look like this:

```
rule e-01 = in-pattern=0111#CABBB*ccD; out-pattern=ABD
```

---

## Backup-Synchronization Section

The Backup-Synchronization section contains the configuration options that are used to support a high-availability (hot standby redundancy type) configuration.

**backup-sync** This section must be called backup-sync.

---

Note: These options apply only to T-Servers that support the hot standby redundancy type.

---

### **addp-remote-timeout**

Default Value: 0

Valid Values: Any integer from 0–3600

Changes Take Effect: Immediately

Specifies the time interval that the redundant T-Server waits for a response from this T-Server after sending a polling signal. The default value of 0 (zero) disables the functionality of this option. To establish an appropriate timeout, specify a value other than the default. This option applies only if the [protocol](#) option is set to addp.

### **addp-timeout**

Default Value: 0

Valid Values: Any integer from 0–3600

Changes Take Effect: Immediately

Specifies the time interval that this T-Server waits for a response from another T-Server after sending a polling signal. The default value of 0 (zero) disables the functionality of this option. To establish an appropriate timeout, specify a value other than the default. This option applies only if the [protocol](#) option is set to addp.

**addp-trace**

Default Value: off

Valid Values:

off, false, no	No trace (default).
local, on, true, yes	Trace on this T-Server side only.
remote	Trace on the redundant T-Server side only.
full, both	Full trace (on both sides).

Changes Take Effect: Immediately

Specifies whether the option is active, and to what level the trace is performed. This option applies only if the [protocol](#) option is set to addp.

**protocol**

Default Value: default

Valid Values:

default	The feature is not active.
addp	Activates the Advanced Disconnect Detection Protocol.

Changes Take Effect: When the next connection is established

Specifies the name of the method used to detect connection failures. If you specify the addp value, you must also specify a value for the [addp-timeout](#), [addp-remote-timeout](#), and [addp-trace](#) options.

**sync-reconnect-tout**

Default Value: 20 sec

Valid Values: See “Timeout Value Format” on [page 181](#).

Changes Take Effect: Immediately

Specifies the time interval after which the backup T-Server attempts to reconnect to the primary server (for a synchronized link).

---

## Call-Cleanup Section

The Call-Cleanup section contains the configuration options that are used to control detection and cleanup of stuck calls in T-Server. For more information on stuck call handling, refer to the “Stuck Call Management” chapter in the *Framework 7.6 Management Layer User’s Guide*.

**call-cleanup** This section must be called `call-cleanup`.

**cleanup-idle-tout**

Default Value: 0

Valid Values: See “Timeout Value Format” on [page 181](#).

Changes Take Effect: Immediately

Specifies the time interval that T-Server waits for a call to be updated from its last update. After this time elapses, if no new events about the call are received, T-Server clears this call as a stuck call, either by querying the switch (if a CTI link provides such capabilities) or by deleting the call information from memory unconditionally. The default value of 0 disables the stuck calls cleanup.

### **notify-idle-tout**

Default Value: 0

Valid Values: See “Timeout Value Format” on [page 181](#).

Changes Take Effect: Immediately

Specifies the time interval that T-Server waits for a call to be updated from its last update. After this time elapses, if no new events about the call are received, T-Server reports this call as a stuck call. The default value of 0 disables the stuck calls notification.

### **periodic-check-tout**

Default Value: 10 min

Valid Values: See “Timeout Value Format” on [page 181](#).

Changes Take Effect: Immediately

Specifies the time interval for periodic checks for stuck calls. These checks affect both notification and cleanup functionality, and are made by checking the T-Server’s own call information with call information available in the switch. For performance reasons, T-Server does not verify whether the `notify-idle-tout` or `cleanup-idle-tout` option has expired before performing this checking.

---

Note: Setting this option to a value of less than a few seconds can affect T-Server performance.

---

## **Examples**

This section presents examples of option settings in the `call-cleanup` section.

**Example 1** `cleanup-idle-tout = 0`  
`notify-idle-tout = 0`  
`periodic-check-tout = 10`

With these settings, T-Server will not perform any checks for stuck calls.

**Example 2** `cleanup-idle-tout = 0`  
`notify-idle-tout = 5 min`  
`periodic-check-tout = 10 min`

With these settings, T-Server performs checks every 10 minutes and sends notifications about all calls that have been idle for at least 5 minutes.

**Example 3** cleanup-idle-tout = 20 min  
 notify-idle-tout = 5 min  
 periodic-check-tout = 10 min

With these settings, T-Server performs checks every 10 minutes, sends notifications about all calls that have been idle for at least 5 minutes, and attempts to clean up all calls that have been idle for more than 20 minutes.

---

## Security Section

The Security section contains the configuration options that are used to configure secure data exchange between T-Servers and other Genesys components. Refer to the *Genesys 7.6 Security Deployment Guide* for complete information on the security configuration.

---

## Timeout Value Format

This section of the document describes the values to use for those T-Server common options that set various timeouts. The current format allows you to use fractional values and various time units for timeout settings.

For timeout-related options, you can specify any value that represents a time interval, provided that it is specified in one of the following formats:

*[[[hours: ]minutes: ]seconds][milli seconds]*

or

*[hours hr][minutes min][seconds sec][milli seconds msec]*

Where a time unit name in italic (such as *hours*) is to be replaced by an integer value for this time unit.

Integer values with no measuring units are still supported, for compatibility with previous releases of T-Server. When you do not specify any measuring units, the units of the default value apply. For example, if the default value equals 60 sec, specifying the value of 30 sets the option to 30 seconds.

### Example 1

The following settings result in a value of 1 second, 250 milliseconds:

```
sync-reconnect-tout = 1.25
sync-reconnect-tout = 1 sec 250 msec
```

**Example 2**

The following settings result in a value of 1 minute, 30 seconds:

```
timeout = 1:30
```

```
timeout = 1 min 30 sec
```

---

## Changes from Release 7.5 to 7.6

[Table 19](#) lists the configuration options that:

- Are new or changed in the 7.6 release of T-Server
- Have been added or changed since the most recent 7.5 release of this document

If a configuration option has been replaced with another that enables the same functionality, the new option name and its location in this chapter are noted.

**Table 19: Option Changes from Release 7.5 to 7.6**

Option Name	Option Values	Type of Change	Details
<b>TServer Section</b>			
ani-distribution	inbound-calls-only, all-calls, suppressed	New	See the option description on <a href="#">page 160</a> .
compatibility-port	0 or any valid TCP/IP port	Obsolete	See the option description on <a href="#">page 161</a> .
<b>extrouter Section</b>			
use-data-from	active, original, current, active-data-original-call	New value	New option value, active-data-original-call. See the option description on <a href="#">page 170</a> .
<b>backup-sync Section</b>			
network-provided-address	true, false	Obsolete	



Chapter

# 9

## Configuration Options in Network T-Server for GenSpec

This chapter describes configuration options unique to the Network T-Server for GenSpec, it contains the following sections:

- [Mandatory Options, page 183](#)
- [T-Server Section, page 186](#)
- [AsnSap Section, page 186](#)
- [pgf Section, page 188](#)
- [Timers Section, page 189](#)
- [GenSpec Section, page 192](#)
- [gli Section, page 194](#)
- [gli\\_server Section, page 195](#)
- [gli\\_server\\_group\\_<n> Section, page 196](#)
- [Changes from 7.5 to 7.6, page 198](#)

---

### Mandatory Options

This section lists the options that you must configure for basic T-Server operation. All other options in this chapter are configured to enable T-Server to support various features. See [Table 20](#) for a list of mandatory options.

To establish a link connection, simply configure the link options (TCP/IP) that are applicable to the connection protocol used in your environment.

**Table 20: Mandatory Options**

Option Name	Default Value	Details
<b>AsnSap Section</b>		
type-table-file	GenSpec. tt	Specifies the relative or absolute path to the GenSpec. tt type table file. For this T-Server, the value must be set to GenSpec. tt to operate properly. See description on <a href="#">page 186</a> .
codec-data-location-specified	false	Determines whether the data to be encoded/decoded is taken from the data buffer in the message or from the property map in the message. For this T-Server, the value must be set to true to operate properly. See description on <a href="#">page 186</a> .
encode-module-name	No default value	Specifies encode instructions to the ASN SAP. For this T-Server, the value must be set to SCP-TServer to operate properly. See description on <a href="#">page 187</a> .
encode-type-name	No default value	Specifies encode instructions to the ASN SAP. For this T-Server, the value must be set to TServerMessage to operate properly. See description on <a href="#">page 187</a> .
decode-module-name	No default value	Specifies decode instructions to the ASN SAP. For this T-Server, the value must be set to SCP-TServer to operate properly. See description on <a href="#">page 187</a> .



**Table 20: Mandatory Options (Continued)**

Option Name	Default Value	Details
decode-type-name	No default value	Specifies decode instructions to the ASN SAP. For this T-Server, the value must be set to SCPMessage to operate properly. See description on <a href="#">page 187</a> .
data-location	No default value	Specifies the location in the message where the coded ASN information is found. This property is mandatory when codec-data-location-specified is set to true. For this T-Server, the value must be set to TCAP.ComponentList.Parameters to operate properly. See description on <a href="#">page 188</a> .
property-map-location	No default value	Specifies the name where all ASN information is placed. This property is used in conjunction with data-location. This property is mandatory when codec-data-location-specified is set to true. For this T-Server, this value must be set to Asn to operate properly. See description on <a href="#">page 188</a> .
<b>pgf Section</b>		
ptc-file	tserver.ptc	Specifies the file name for the application file for this T-Server. For this T-Server the ptc-file must be set to GenSpec.smx to work properly. See description on <a href="#">page 188</a> .

**Table 20: Mandatory Options (Continued)**

Option Name	Default Value	Details
<b>gli Section</b>		
gli-mode	No default value	This option controls whether the GLI layer acts as a client or server. See description on <a href="#">page 194</a> .

---

## T-Server Section

This section must be labeled TServer.

### **gli\_server\_group\_<n>**

Default Value: gli\_server\_group\_1

Valid Value: Any section name

Changes Take Effect: Immediately

Specifies the name of the group containing the gli configuration options that apply to a link, where *n* refers to the number of the link.

---

## AsnSap Section

This section must be labeled AsnSap.

### **type-table-file**

Default Value: GenSpec.tt

Valid Value: Any valid relative or absolute path to the GenSpec.tt file

Changes Take Effect: After T-Server is restarted

Specifies the relative or absolute path of the GenSpec.tt type table file.

### **codec-data-location-specified**

Default Value: false

Valid Values: true, false

Changes Take Effect: After T-Server is restarted

Determines whether the data to be encoded/decoded is taken from the data buffer in the message or from the property map in the message. If set to true, property-map-location and data-location become required options.

---

**Warning!** For this T-Server, the value must be set to true to operate properly.

---

**encode-module-name**

Default Value: No default value

Valid Value: SCP-TServer

Changes Take Effect: After T-Server is restarted

Specifies encode instructions to the ASN SAP.

---

Warning! For this T-Server, the value must be set to SCP-TServer to operate properly.

---

**encode-type-name**

Default Value: No default value

Valid Value: TServerMessage

Changes Take Effect: After T-Server is restarted

Specifies encode instructions to the ASN SAP.

---

Warning! For this T-Server, the value must be set to TServerMessage to operate properly.

---

**decode-module-name**

Default Value: No default value

Valid Value: SCP-TServer

Changes Take Effect: After T-Server is restarted

Specifies decode instructions to the ASN SAP.

---

Warning! For this T-Server, the value must be set to SCP-TServer to operate properly.

---

**decode-type-name**

Default Value: No default value

Valid Value: SCPMessage

Changes Take Effect: After T-Server is restarted

Specifies decode instructions to the ASN SAP.

---

Warning! For this T-Server, the value must be set to SCPMessage to operate properly.

---

**data-location**

Default Value: No default value

Valid Value: TCAP.ComponentList.Parameters

Changes Take Effect: After T-Server is restarted

Specifies the location in the message where the coded ASN information is found. This option is mandatory when `codec-data-location-specified` is set to true.

---

Warning! For this T-Server, the value must be set to TCAP.ComponentList.Parameters to operate properly.

---

**property-map-location**

Default Value: No default value

Valid Value: Asn

Changes Take Effect: After T-Server is restarted

Specifies the name where all ASN information is placed. This option is used in conjunction with `data-location`. This option is mandatory when `codec-data-location-specified` is set to true.

---

Warning! For this T-Server, the value must be set to Asn to operate properly.

---

---

## pgf Section

This section must be labeled pgf.

**ptc-file**

Default Value: `tserver.ptc`

Valid Value: Any valid relative or absolute path to the GenSpec.smx file

Changes Take Effect: After T-Server is restarted

Specifies the file name for the .smx file for this T-Server.

---

Warning! For this T-Server, the value must be set to `GenSpec.smx` to operate properly.

---

**bcd-conversion**

Default Value: `a*#def`

Valid Value: Any six-character string

Changes Take Effect: Immediately

Specifies what character to use when decoding a bcd string, and an a-f is encountered. The opposite is true for encoding.

**bcd-order**

Default Value: lower

Valid Values: lower, upper

Changes Take Effect: Immediately

Specifies how BCD encoded sequences are interpreted. A BCD string normally contains two digits per byte. When this option is set to a value of lower, the first digit is encoded in the four lowest bits, while the next digit is encoded in the four highest bits of that byte. When the value is set to upper, the order is reversed.

---

Note: If the sequence contains an odd number of digits, then a 0 is used to fill in the remaining bits.

---

**watermark**

Default Value: 0

Valid Value: 0 or any value greater than three times the number of SCP connections.

Changes Take Effect: Immediately

Specifies the number of internally queued events required for the Network T-Server to notify the SCP to suspend any new call routing requests. If new call routing requests are suspended, they are subsequently resumed once the number of queued events fall below 50 percent of this watermark value. If this option is set to 0, flow-control notifications are controlled manually using the FlowControl State option.

---

Note: The minimum recommended setting for the watermark option is three times the number of connections between the SCP and the Network T-Server. Settings below this minimum threshold may result in continuous oscillation between the suspend and resume flow control states.

---

---

## Timers Section

This section must be labeled Timers.

**Valid Units of Time**

Timer settings use a <number><timeperiod> format. Valid units of time are:

ms=milliseconds

s=seconds

min=minutes

h=hours

d=days

The default unit of time for all timers is milliseconds (ms). If you do not supply a unit of time, then ms is assumed.

### **DefaultRouteTimeout**

Default Value: 4 s

Valid Value: Any positive integer

Changes Take Effect: Immediately

Specifies the amount of time which the T-Server will wait for a RequestRouteCall or RequestApplyTreatment from the URS after an EventRouteRequest has been sent. When this timer expires, the T-Server will send a default Route Response to the SCP (if configured by option SendRouteResponseOnTimeout), an EventRouteUsed to the URS with STATUS=DEFAULT in the AttributeUserData, and then the call will be deleted.

### **TreatmentRouteTimeout**

Default Value: 10 min

Valid Value: Any positive integer

Changes Take Effect: Immediately

Specifies the amount of time which the T-Server will wait for a RequestRouteCall from the URS after a treatment has been applied (see TreatmentAppliedTimeout.) When this timer expires, the T-Server will send a default Route Response to the SCP (if configured by option SendRouteResponseOnTimeout), an EventRouteUsed to the URS, and then the call will be deleted.

### **TreatmentAppliedTimeout**

Default Value: 500 ms

Valid Value: Any positive integer

Changes Take Effect: Immediately

Specifies the amount of time which the T-Server will wait before it sends an EventTreatmentApplied after having received a RequestApplyTreatment. If the SCP sends a TreatmentResponse message before this timer expires, the timer is canceled.

### **TreatmentEndTimeout**

Default Value: 5 h

Valid Value: Any positive integer

Changes Take Effect: Immediately

Specifies the amount of time which the T-Server will wait for a TreatmentResponse message from the SCP after having sent a Play, PlayAndCollect, or InvokeApp. When the timer expires, EventAbandoned is sent to the URS and the call is deleted.

**RouteUsedTimeout**

Default Value: 15 s

Valid Value: Any positive integer

Changes Take Effect: Immediately

Specifies the amount of time which the T-Server will wait for a RouteUsed message from the SCP after a Route Response has been sent. When this timer expires, the T-Server will send an EventAbandoned message to the URS and then end the call. This applies only to Types of Service 2 and 3.

**EndCallTimeout**

Default Value: 24 h

Valid Value: Any positive integer

Changes Take Effect: Immediately

Specifies the amount of time which the T-Server will wait for an End Call message after a Route Used message has been received. When the timer expires, the call is deleted. For an outbound call, ReleaseCall is sent to the SCP.

**AsyncRequestTimeout**

Default Value: 5 s

Valid Value: Any positive integer

Changes Take Effect: Immediately

Specifies the amount of time which the T-Server will wait for an AsyncResponse from the SCP after an AsyncRequest has been sent. When the timer expires, an EventError is sent to the agent.

**OutboundCallTimeout**

Default Value: 4 s

Valid Value: Any positive integer

Changes Take Effect: Immediately

Specifies the amount of time which the T-Server will wait for a Dialing message from the SCP after a MakeCall has been sent. When the timer expires, an EventError is sent to the T-Lib client that initiated the TMakePredictiveCall.

**OutboundRerouteTimeout**

Default Value: 1 h

Valid Value: Any positive integer

Changes Take Effect: Immediately

Specifies the amount of time which the T-Server will store the call type for an outbound call when type 2 rerouting is used. This timer is sent when the call has been ended (after Route Used). If an outbound call is type 2 rerouted before this timer expires, it will be recreated using the outbound call type; otherwise, the call type will revert to inbound.

---

Note: Type 2 rerouting is where routing with status is used (typeOfService 2) with the parameter rerouteInfo.

---

### **RouteRequestTimeout**

Default Value: 1 min

Valid Value: Any positive integer

Changes Take Effect: Immediately

Specifies the amount of time which the T-Server will wait for a Route Request (with rerouteInfo) from the SCP after ISCC has indicated that a type 2 call will be rerouted. If the Route Request arrives after this timer has expired, a Release Call will be returned to the SCP; otherwise, the call is recreated using the Conn ID contained in the rerouteInfo parameter.

---

## GenSpec Section

This section must be labeled GenSpec.

### **FlowControlState**

Default Value: none

Valid Values: none, suspend, resume, auto

Changes Take Effect: Immediately

After a successful loginRequest, if the option is set to suspend, resume, or auto, then T-Server sends a flowControl message to the SCP with the corresponding action.

---

Note: When the FlowControl State option is set to auto, the watermark option in the pgf must also be set. These settings are considered to be linked and setting only one option and not the other may cause unusual messaging to occur. When the FlowControl State is set to anything other than none, flow control messages are sent to all connected GLI links whenever the flow control state changes.

---

### **FlowControlWaitForLogin**

Default Value: false

Valid Values: true, false

Changes Take Effect: Immediately

If this option is set to a value of true, T-Server sends a FlowControl message for a newly-connected link only after the link logs in. Otherwise, it sends the FlowControl message immediately after the link connects.



---

Note: This option applies to all groups. If this option is set to a value of true, and all connections are not logged into, proper flow control behavior cannot be ensured.

---

### **DNISSubsetLength**

Default Value: 0

Valid Value: 0 or any positive integer

Changes Take Effect: Immediately

If this option is set with a value greater than 0, then only the last corresponding digits of the `calledNumber` attribute are put into `AttributeThi sDN` (`EventRouteRequest` message). This is used only in a network IVR environment.

### **EventAbandonedOnError**

Default Value: false

Valid Values: true, false

Changes Take Effect: Immediately

Controls whether or not the T-Server generates `EventAbandoned` (instead of `EventRouteUsed`) on certain SCP error conditions—in particular, when the SCP sends messages out of sequence.

### **LoadBalanceOutboundLinks**

Default Value: true

Valid Values: true, false

Changes Take Effect: Immediately

Controls whether or not the T-Server load balances `MakeCall` requests across multiple links when more than one SCP has registered the same outbound service number.

### **MaxTreatmentError**

Default Value: 5

Valid Values: Any positive integer

Changes Take Effect: Immediately

Specifies the number of successive failed attempts the URS may make to apply a treatment to a call when the SCP has indicated that such treatments are not supported. When the max count is reached, a default `Route Response` is sent to the SCP, `EventError` and `EventRouteUsed` are sent to the URS, and then the call is deleted.

**NegInvokelds**

Default Value: false

Valid Values: true, false

Changes Take Effect: Immediately

Specifies whether or not negative invoke IDs can be used for invokes initiated by the T-Server. If set to false, the ID range is 1 to 127; otherwise, the range is -128 to 127, as specified in the ITU TCAP specification.

**SendRouteResponseOnTimeout**

Default Value: false

Valid Values: true, false

Changes Take Effect: Immediately

If set to yes and one of the timers (DefaultRouteTimeout or TreatmentRouteTimeout) expires, T-Server sends a routeResponse (Route Type default) before deleting the call.

**AllowPstnConsult**

Default Value: false

Valid Value: true, false

Changes Take Effect: After T-Server is restarted

Allows TNetworkConsult messages to be valid when an AttributeLocation value is not specified and AttributeOtherDN is not declared as a Routing Point DN on the Network T-Server for GenSpec switch.

---

## gli Section

This section must be labeled gli.

**gli-mode**

Default Value: No default value

Valid Value: server—Uses gli\_server section

Changes Take Effect: Immediately

This option controls whether the GLI layer acts as a client or server. The T-Server always acts in the server role and, therefore, this option must have the value server and the section gli\_server must also be provided.

**gli-keep-alive-interval**

Default Value: 20

Valid Value: Any positive integer

Changes Take Effect: Immediately

Specifies (in seconds) the time before a KeepAliveRequest is sent. A value of -1 means that the sending of keep-alive requests is turned off.

**gli-keep-alive-tries**

Default Value: 3

Valid Value: Any positive integer

Changes Take Effect: Immediately

Specifies the number of gli-keep-alive-intervals that can pass without receiving either a message or a KeepAliveResponse before the link is closed.

**gli-reconnect-delay**

Default Value: 5

Valid Value: Any positive integer

Changes Take Effect: Immediately

Specifies the delay (in seconds) before a reconnection is attempted. This option affects both server and client connections.

**gli-link-proving-delay**

Default Value: 0

Valid Value: Any positive integer

Changes Take Effect: Immediately

Specifies the delay (in seconds) before sending the first KeepAliveRequest on a newly connected link.

---

Note: This option is obsolete. A value may still be set for this option; however, it will be disregarded by T-Server.

---

---

## gli\_server Section

This section must be labeled gli\_server.

**gli-server-mode**

Default Value: No default value

Valid Value: Circuit

Changes Take Effect: Immediately

In Circuit mode, the gli-n-servers option is used.

---

Warning! This option must not be changed dynamically. T-Server must be restarted for option changes to take effect properly.

---

**gli-n-servers**

Default Value: No default value

Valid Values: 1–8

Changes Take Effect: Immediately

Used in Circuit mode only. Specifies the number of server group sections to read. These server group sections are named gli\_server\_group\_1, gli\_server\_group\_2, and so on. Each server group section contains a gli-server-address and a gli-client-list.

---

Note: This option is obsolete. A value may still be set for this option; however, it will be disregarded by T-Server.

---



---

## gli\_server\_group\_<n> Section

Beginning with Release 7.5, there have been several modifications to gli\_server\_group\_<n> options, as follows:

- There is no longer an eight (8) group limitation on server and client groups.
- There is no longer a requirement for groups to be numbered sequentially, for example:
  - It is now possible to have two server groups one named gli\_server\_group\_15, and another named gli\_server\_group\_99. Previously, the groups were required to be named gli\_server\_group\_1, gli\_server\_group\_2, and so on to a maximum of eight (8) groups.
  - Deleting a group will immediately close all links associated with that group. For servers, this includes all client connections.

This section must be labeled gli\_server\_group\_<n>.

---

Note: The section name can be specified using the gli\_server\_group\_<n> option. See the option description on [page 186](#) for further information.

---

### gli-circuit-failover

Default Value: on

Valid Values: on, off

Changes Take Effect: Immediately

If the T-Server clients (SCP) share call context, then you can set the option to on. Otherwise, it must be set to off.

### gli-server-address

Default Value: No default value

Valid Value: Any valid address

Changes Take Effect: Immediately

Specifies the address to use when creating the server's listen socket. You can specify more than one address using a comma-separated list of addresses, where each address is composed of the host name or IP address and the TCP/IP port number in the format <Hostname or IP\_Address>:<TCP/IP Port#>

---

Note: Changing the address will not affect any existing client connections. It will only change the address for the server listen port.

---

### **gli-client-list**

Default Value: No default value

Valid Value: Comma-separated list of host: port

Changes Take Effect: Immediately

Specifies the list of clients that are allowed to connect to the server in a comma-separated format where each client is composed of the host name and port number. If no value is present, then any client may connect. Otherwise an exact match (through DNS or BIND) is required. You can use the port number \* (asterisk) to match any port.

---

Note: This option is only used when connections are created. If this option is changed, open connections are not closed, even if they have been removed from the client list.

---

### **gli-tls-cert**

Default Value: No default value

Valid Value: Not applicable

Changes Take Effect: Immediately

For Windows, this option contains the thumbprint obtained from a user certificate generated for the host. On UNIX, this option specifies the path and filename to a .pem encoded file containing the host certificate.

---

Note: This option is only used when connections are created. If this option is changed, open connections are not closed.

---

### **gli-tls-cert-key**

Default Value: No default value

Valid Value: Not applicable

Changes Take Effect: Immediately

On UNIX, this option specifies the path and filename to a .pem encoded file containing the host private key.

---

Notes: This option is only applicable to UNIX operating systems.

This option is only used when connections are created. If this option is changed, open connections are not closed.

---

**gli-tls-trusted-ca**

Default Value: No default value

Valid Value: Not applicable

Changes Take Effect: Immediately

On UNIX, this option specifies the path and filename to a .pem encoded file containing the CA certificate.

---

Notes: This option is only applicable to UNIX operating systems.

This option is only used when connections are created. If this option is changed, open connections are not closed.

---



---

## Changes from 7.5 to 7.6

[Table 21](#) lists the configuration options that have changed between the 7.5 and 7.6 releases of Network T-Server for GenSpec.

**Table 21: Option Changes from Release 7.5 to 7.6**

Option Name	Type of Change	Details
<b>T-Server Section</b>		
gli_server_group_<n>	Added	This option is undocumented in previous versions. See the description on <a href="#">page 186</a> .
<b>GenSpec Section</b>		
FlowControlWaitForLogin	Added	See the description on <a href="#">page 192</a> .



# Index

## A

- Access Code
  - configuration . . . . . 92
  - defined . . . . . 42, 91
- addp-remote-timeout
  - common configuration option . . . . . 178
- addp-timeout
  - common configuration option . . . . . 178
- addp-trace
  - common configuration option . . . . . 179
- Advanced Disconnect Detection Protocol . . . 26
- Agent Login objects . . . . . 43
- agent reservation
  - defined . . . . . 30
- Agent-Reservation section
  - common configuration options . . . . 167–168
- all
  - common log option . . . . . 145
- allow\_pstn\_consult
  - configuration options . . . . . 194
- ANI . . . . . 58
- ani-distribution
  - common configuration option . . . . . 160
- app
  - command line parameter . . . . . 103
- Application objects
  - multi-site operation . . . . . 89
- Asynchronous Network Messaging . . . . . 129
  - Network T-Server for GenSpec . . . . . 129
- audience
  - defining . . . . . 10

## B

- background-processing
  - common configuration option . . . . . 160
- background-timeout
  - common configuration option . . . . . 161
- Backup-Synchronization section
  - common configuration options . . . . 178–179

- bcd-conversion
  - configuration options . . . . . 188
- buffering
  - common log option . . . . . 138

## C

- Call-Cleanup section
  - common configuration options . . . . 179–181
- Capability-Exchange Functions
  - Network T-Server for GenSpec . . . . . 128
- cast-type
  - common configuration option . . . . . 57, 170
- CDN . . . . . 63
- Changes from 7.5 to 7.6
  - configuration options . . . . . 198
- changes from 7.5 to 7.6
  - common configuration options . . . . . 156
  - configuration options . . . . . 182
- chapter summaries
  - defining . . . . . 11
- check-point
  - common log option . . . . . 142
- check-tenant-profile
  - common configuration option . . . . . 161
- cleanup-idle-tout
  - common configuration option . . . . . 179
- Code property . . . . . 92, 93
- codec-data-location-specified
  - configuration options . . . . . 186
- cof-ci-defer-create
  - common configuration option . . . . . 175
- cof-ci-defer-delete
  - common configuration option . . . . . 175
- cof-ci-req-tout
  - common configuration option . . . . . 72, 175
- cof-ci-wait-all
  - common configuration option . . . . . 176
- cof-feature
  - common configuration option . . . . . 176
- cof-rci-tout

common configuration option . . . . .	176	periodic-check-tout . . . . .	180
command line parameters . . . . .	103	protocol . . . . .	179
app . . . . .	103	reconnect-tout . . . . .	169
host . . . . .	103	register-attempts . . . . .	172
l . . . . .	104	register-tout . . . . .	172
lmspath . . . . .	104	reject-subsequent-request . . . . .	168
nco X/Y . . . . .	104	report-connid-changes . . . . .	170
port . . . . .	103	request-collection-time . . . . .	168
V . . . . .	104	request-tout . . . . .	172
commenting on this document . . . . .	15	reservation-time . . . . .	168
common configuration options . . . . .	138–157	resource-allocation-mode . . . . .	173
addp-remote-timeout . . . . .	178	resource-load-maximum . . . . .	173
addp-timeout . . . . .	178	route-dn . . . . .	173
addp-trace . . . . .	179	rule-<n> . . . . .	177
Agent-Reservation section . . . . .	167–168	Security section . . . . .	181
ani-distribution . . . . .	160	server-id . . . . .	164
background-processing . . . . .	160	setting . . . . .	137, 159
background-timeout . . . . .	161	sync-reconnect-tout . . . . .	179
Backup-Synchronization section . . . . .	178–179	tcs-queue . . . . .	174
Call-Cleanup section . . . . .	179–181	tcs-use . . . . .	174
cast-type . . . . .	170	timeout . . . . .	174
changes from 7.5 to 7.6 . . . . .	156	timeout value format . . . . .	181–182
check-tenant-profile . . . . .	161	Translation Rules section . . . . .	177
cleanup-idle-tout . . . . .	179	T-Server section . . . . .	160–164
cof-ci-defer-create . . . . .	175	use-data-from . . . . .	170
cof-ci-defer-delete . . . . .	175	use-implicit-access-numbers . . . . .	174
cof-ci-req-tout . . . . .	175	user-data-limit . . . . .	164
cof-ci-wait-all . . . . .	176	common log options . . . . .	138–155
cof-feature . . . . .	176	all . . . . .	145
cof-rci-tout . . . . .	176	buffering . . . . .	138
common section . . . . .	155–156	check-point . . . . .	142
compatibility-port . . . . .	161	compatible-output-priority . . . . .	143
consult-user-data . . . . .	162	debug . . . . .	147
customer-id . . . . .	162	default-filter-type . . . . .	154
default-dn . . . . .	171	expire . . . . .	139
direct-digits-key . . . . .	171	interaction . . . . .	146
dn-for-unexpected-calls . . . . .	172	keep-startup-file . . . . .	140
enable-async-dns . . . . .	156	<key name> . . . . .	155
event-propagation . . . . .	177	level-reassign-<eventID> . . . . .	152
inbound-translator-<n> . . . . .	177	level-reassign-disable . . . . .	154
License section . . . . .	165–167	log section . . . . .	138–151
local-node-id . . . . .	176	log-extended section . . . . .	152–154
log section . . . . .	138–151	log-filter section . . . . .	154
log-extended section . . . . .	152–154	log-filter-data section . . . . .	155
log-filter section . . . . .	154	mandatory options . . . . .	138
log-filter-data section . . . . .	155	memory . . . . .	143
log-trace-flags . . . . .	163	memory-storage-size . . . . .	143
management-port . . . . .	163	message_format . . . . .	141
mandatory . . . . .	138	messagefile . . . . .	140
match-call-once . . . . .	169	print-attributes . . . . .	142
merged-user-data . . . . .	163	segment . . . . .	139
Multi-Site Support section . . . . .	168–177	setting . . . . .	137
network-request-timeout . . . . .	172	spool . . . . .	143
notify-idle-tout . . . . .	180	standard . . . . .	145
num-of-licenses . . . . .	165	time_convert . . . . .	141
num-sdn-licenses . . . . .	165	time_format . . . . .	142



- trace . . . . . 146
  - verbose . . . . . 138
  - x-conn-debug-all . . . . . 151
  - x-conn-debug-api . . . . . 151
  - x-conn-debug-dns . . . . . 151
  - x-conn-debug-open . . . . . 149
  - x-conn-debug-security . . . . . 150
  - x-conn-debug-select . . . . . 150
  - x-conn-debug-timers . . . . . 150
  - x-conn-debug-write . . . . . 150
  - common options
    - common log options . . . . . 138–155
    - common section . . . . . 155–156
    - mandatory options . . . . . 138
  - common section
    - common options . . . . . 155–156
  - compatibility-port
    - common configuration option . . . . . 161
  - compatible-output-priority
    - common log option . . . . . 143
  - Configuration Manager
    - configuring T-Server . . . . . 44
    - multiple ports . . . . . 45
  - configuration options
    - allow\_pstn\_consult . . . . . 194
    - bcd-conversion . . . . . 188
    - changes from 7.5 to 7.6 . . . . . 182
    - codec-data-location . . . . . 186
    - common log options . . . . . 138–155
    - common options . . . . . 138–157
    - data-location . . . . . 188
    - decode-module-name . . . . . 187
    - decode-type-name . . . . . 187
    - DNIS\_Subset\_Length . . . . . 193
    - encode-module-name . . . . . 187
    - encode-type-name . . . . . 187
    - FlowControlState . . . . . 192
    - FlowControlWaitForLogin . . . . . 192
    - gli\_server\_group\_ . . . . . 186
    - gli-circuit-failover . . . . . 196
    - gli-client-list . . . . . 197
    - gli-keep-alive-interval . . . . . 194
    - gli-keep-alive-tries . . . . . 195
    - gli-link-proving-delay . . . . . 195
    - gli-mode . . . . . 194
    - gli-n-servers . . . . . 195
    - gli-reconnect-delay . . . . . 195
    - gli-server-address . . . . . 196
    - gli-server-mode . . . . . 195
    - gli-tls-cert . . . . . 197
    - gli-tls-cert-key . . . . . 197
    - gli-tls-trusted-ca . . . . . 198
    - mandatory
      - common . . . . . 138
    - Network T-Server for GenSpec . . . . . 183
    - property-map-location . . . . . 188
    - ptc-file . . . . . 188, 189
    - SendRouteResponseOnTimeout . . . . . 194
    - setting
      - common . . . . . 137
    - type-table-file . . . . . 186
  - configuring
    - multi-site operation . . . . . 89–102
    - steps . . . . . 89
    - T-Server . . . . . 44
    - multiple ports . . . . . 45
  - connection status error messages . . . . . 132
  - consult-user-data
    - common configuration option . . . . . 162
  - customer-id
    - common configuration option . . . . . 162
- ## D
- data-location
    - configuration options . . . . . 188
  - debug
    - common log option . . . . . 147
  - decode-module-name
    - configuration options . . . . . 187
  - decode-type-name
    - configuration options . . . . . 187
  - Default Access Code
    - configuration . . . . . 91
    - defined . . . . . 91
  - default-dn
    - common configuration option . . . . . 171
  - default-filter-type
    - common log option . . . . . 154
  - destination location . . . . . 51
  - destination T-Server . . . . . 56
  - direct-ani
    - ISCC transaction type . . . . . 58, 65
  - direct-callid
    - ISCC transaction type . . . . . 58, 65
  - direct-digits
    - transaction type . . . . . 65
  - direct-digits-key
    - common configuration option . . . . . 171
  - direct-network-callid
    - ISCC transaction type . . . . . 59, 65
  - direct-notoken
    - ISCC transaction type . . . . . 60, 65
  - direct-uuui
    - ISCC transaction type . . . . . 59, 65
  - DN objects . . . . . 43
  - dn-for-unexpected-calls
    - common configuration option . . . . . 172
  - DNIS\_Subset\_Length
    - configuration options . . . . . 193
  - dnis-pool

- in load-balancing mode . . . . . 61
- ISCC transaction type . . . . . 54, 60, 65
- DNs
  - configuring for multi-sites . . . . . 96
- document
  - conventions . . . . . 12
  - errors, commenting on . . . . . 15
  - version number . . . . . 12
- E
  - enable-async-dns
    - common configuration option . . . . . 156
  - encode-module-name
    - configuration options . . . . . 187
  - encode-type-name
    - configuration options . . . . . 187
  - error messages
    - connection status error messages . . . . . 132
    - NAT/C . . . . . 132
    - Network T-Server for GenSpec . . . . . 130
    - unsuccessful call origination error messages
      - . . . . . 132
    - voice processing failure messages . . . . . 132
  - Event Propagation
    - defined. . . . . 83
  - EventAttachedDataChanged. . . . . 83
  - event-propagation
    - common configuration option . . . . . 177
  - expire
    - common log option . . . . . 139
  - extrouter
    - configuration section . . . . . 81, 86, 90
- F
  - figures
    - Multiple-to-Point mode . . . . . 64
    - Point-to-Point mode . . . . . 63
    - steps in ISCC/Call Overflow. . . . . 71
  - FlowControlState
    - configuration options . . . . . 192
  - FlowControlWaitForLogin
    - configuration options . . . . . 192
- G
  - GenSpec
    - supported treatment types. . . . . 133
    - treatment parameter ranges. . . . . 134
    - treatment parameter types . . . . . 134
  - GenSpec Specific Configuration . . . . . 117
  - gli . . . . . 194
  - GLI Server . . . . . 195
  - gli\_server\_group\_ . . . . . 196
    - configuration options . . . . . 186
  - gli-circuit-failover
    - configuration options . . . . . 196
  - gli-client-list
    - configuration options . . . . . 197
  - gli-keep-alive-interval
    - configuration options . . . . . 194
  - gli-keep-alive-tries
    - configuration options . . . . . 195
  - gli-link-proving-delay
    - configuration options . . . . . 195
  - gli-mode
    - configuration options . . . . . 194
  - gli-n-servers
    - configuration options . . . . . 195
  - gli-reconnect-delay
    - configuration options . . . . . 195
  - gli-server-address
    - configuration options . . . . . 196
  - gli-server-mode
    - configuration options . . . . . 195
  - gli-tls-cert
    - configuration options . . . . . 197
  - gli-tls-cert-key
    - configuration options . . . . . 197
  - gli-tls-trusted-ca
    - configuration options . . . . . 198
- H
  - HA Proxy
    - starting . . . . . 110, 111
  - host
    - command line parameter . . . . . 103
    - hot standby . . . . . 27
    - defined . . . . . 27
- I
  - inbound-translator-<n>
    - common configuration option . . . . . 177
  - Inter Server Call Control . . . . . 51–69
  - Inter Server Call Control/Call Overflow . . 69–73
  - interaction
    - common log option . . . . . 146
  - ISCC
    - destination T-Server . . . . . 56
    - origination T-Server. . . . . 56
  - ISCC transaction types . . . . . 53, 56
    - direct-ani . . . . . 58, 65
    - direct-callid . . . . . 58, 65
    - direct-digits . . . . . 65
    - direct-network-callid. . . . . 59, 65
    - direct-notoken. . . . . 60, 65

## Index

direct-uuui . . . . . 59, 65  
dnis-pool . . . . . 60, 65  
    in load-balancing mode . . . . . 61  
pullback . . . . . 62, 65  
reroute . . . . . 62, 65  
route . . . . . 63, 65  
route-uuui . . . . . 64  
supported . . . . . 65  
ISCC/COF  
    supported . . . . . 70  
iscx-action-type . . . . . 53

## K

keep-startup-file  
    common log option . . . . . 140  
<key name>  
    common log option . . . . . 155

## L

### I

    command line parameter . . . . . 104  
level-reassign-<eventID>  
    common log option . . . . . 152  
level-reassign-disable  
    common log option . . . . . 154  
License section  
    common configuration options . . . . . 165–167  
lmspath  
    command line parameter . . . . . 104  
Load Balancing  
    Network T-Server for GenSpec . . . . . 127  
local-node-id  
    common configuration option . . . . . 176  
location parameter . . . . . 52  
log configuration options . . . . . 138–155  
log section  
    common log options . . . . . 138–151  
log-extended section  
    common log options . . . . . 152–154  
log-filter section  
    common log options . . . . . 154  
log-filter-data section  
    common log options . . . . . 155  
log-trace-flags  
    common configuration option . . . . . 163

## M

Management Layer . . . . . 38  
management-port  
    common configuration option . . . . . 163  
Mandatory Options

    configuration options . . . . . 183  
mandatory options  
    common configuration options . . . . . 160  
match-call-once  
    common configuration option . . . . . 169  
Media Layer . . . . . 38  
memory  
    common log option . . . . . 143  
memory-storage-size  
    common log option . . . . . 143  
merged-user-data  
    common configuration option . . . . . 163  
message\_format  
    common log option . . . . . 141  
messagefile  
    common log option . . . . . 140  
Multiple-to-One mode . . . . . 64  
Multiple-to-Point mode . . . . . 64  
Multi-Site Support section  
    common configuration options . . . . . 168–177

## N

NAT/C  
    error messages . . . . . 132  
NAT/C feature . . . . . 81  
ncx X/Y  
    command line parameter . . . . . 104  
network attended transfer/conference . . . . . 81  
network objects . . . . . 38  
Network T-Server for GenSpec . . . . . 129  
    Capability-Exchange Functions . . . . . 128  
    Changes from 7.5 to 7.6  
        configuration options . . . . . 198  
    configuration options . . . . . 183  
    error messages . . . . . 130  
    Load Balancing . . . . . 127  
    Mandatory Options  
        configuration options . . . . . 183  
    Service Numbers . . . . . 117  
    Set-Features Functions . . . . . 128  
    Supported Functionality . . . . . 119  
    Switching Office . . . . . 117  
    T-library functionality . . . . . 119  
    Voice-Unit Functions . . . . . 128  
network-request-timeout  
    common configuration option . . . . . 172  
notify-idle-tout  
    common configuration option . . . . . 180  
Number Translation feature . . . . . 73–81  
number translation rules . . . . . 74  
num-of-licenses  
    common configuration option . . . . . 165  
num-sdn-licenses  
    common configuration option . . . . . 165

## O

objects	
Agent Logins	43
DNs	43
network	38
Switches	42
Switching Offices	42
telephony	38
One-to-One mode	63
origination location	51
origination T-Server	56

## P

periodic-check-tout	
common configuration option	180
Point-to-Point mode	63
port	
command line parameter	103
print-attributes	
common log option	142
property-map-location	
configuration options	188
protocol	
common configuration option	179
ptc-file	188
configuration options	188, 189
pullback	
ISCC transaction type	62, 65

## R

reconnect-tout	
common configuration option	169
redundancy	
hot standby	27
warm standby	27
redundancy types	
hot standby	27
register-attempts	
common configuration option	172
register-tout	
common configuration option	172
reject-subsequent-request	
common configuration option	168
report-connid-changes	
common configuration option	170
request-collection-time	
common configuration option	168
request-tout	
common configuration option	172
ISCC configuration option	53
reroute	
ISCC transaction type	62, 65

reservation-time	
common configuration option	168
resource-allocation-mode	
common configuration option	173
resource-load-maximum	
common configuration option	173
route	
ISCC transaction type	54, 63, 65, 96
route-dn	
common configuration option	173
route-uu	
ISCC transaction type	64
routing	
Inter Server Call Control	56–69
rule-<n>	
common configuration option	177
run.bat	107
run.sh	106

## S

Security section	
common configuration options	181
segment	
common log option	139
SendRouteResponseOnTimeout	
configuration options	194
server-id	
common configuration option	164
Service Numbers	
Network T-Server for GenSpec	117
Set-Features Functions	
Network T-Server for GenSpec	128
setting	
common configuration options	159
setting configuration options	
common	137
spool	
common log option	143
standard	
common log option	145
starting	
HA Proxy	110
T-Server	111
Supported Functionality	
Network T-Server for GenSpec	119
supported treatment types	
TreatmentMusic	133
TreatmentPlayAnnouncement	133
TreatmentPlayAnnouncementAndDigits	133
TreatmentPlayApplication	133
Switch objects	42
multi-site operation	89
Switching Office	
Network T-Server for GenSpec	117
Switching Office objects	42

multi-site operation . . . . . 90, 91, 92, 96  
 sync-reconnect-tout  
 common configuration option . . . . . 179

## T

Target ISCC  
 Access Code configuration . . . . . 93  
 Default Access Code configuration . . . . . 92  
 tcs-queue  
 common configuration option . . . . . 174  
 tcs-use  
 common configuration option . . . . . 174  
 telephony objects. . . . . 38  
 time\_convert  
 common log option . . . . . 141  
 time\_format  
 common log option . . . . . 142  
 timeout  
 common configuration option . . . . . 54, 174  
 ISCC configuration option . . . . . 54  
 timeout value format  
 common configuration options . . . . . 181–182  
 TInitiateConference . . . . . 52  
 TInitiateTransfer . . . . . 52  
 T-Library functionality  
 Network T-Server for GenSpec . . . . . 119  
 TMakeCall . . . . . 52  
 TMuteTransfer . . . . . 52  
 trace  
 common log option . . . . . 146  
 transaction types (ISCC). . . . . 53, 56  
 supported . . . . . 65  
 transfer connect service . . . . . 68  
 Translation Rules section  
 common configuration options . . . . . 177  
 TreatmentMusic . . . . . 133  
 TreatmentPlayAnnouncement . . . . . 133  
 TreatmentPlayAnnouncementAndDigits . . . . . 133  
 TreatmentPlayApplication . . . . . 133  
 TRouteCall . . . . . 52  
 trunk lines . . . . . 63, 64  
 T-Server  
 configuring Application objects . . . . . 44  
 for multi-sites. . . . . 89  
 multi-site operation . . . . . 89–102  
 starting. . . . . 111, 112  
 using Configuration Manager . . . . . 44  
 multiple ports. . . . . 45  
 T-Server section  
 common configuration options . . . . . 160–164  
 TSingleStepTransfer . . . . . 52  
 TXRouteType. . . . . 53  
 type-table-file  
 configuration options . . . . . 186

typographical styles . . . . . 12

## U

### UNIX

installing T-Server. . . . . 40, 46  
 starting applications. . . . . 107  
 starting HA Proxy . . . . . 110  
 starting T-Server . . . . . 112  
 starting with run.sh . . . . . 106  
 unsuccessful call origination error messages 132  
 use-data-from  
 common configuration option . . . . . 170  
 use-implicit-access-numbers  
 common configuration option . . . . . 174  
 user data propagation . . . . . 83  
 user-data-limit  
 common configuration option . . . . . 164

## V

### v

command line parameters . . . . . 104  
 VDN . . . . . 63  
 verbose  
 common log option . . . . . 138  
 version numbering  
 document . . . . . 12  
 voice processing failure messages . . . . . 132  
 Voice-Unit Functions  
 Network T-Server for GenSpec . . . . . 128

## W

warm standby . . . . . 27  
 Windows  
 installing T-Server. . . . . 41, 47  
 starting applications. . . . . 107  
 starting HA Proxy . . . . . 111  
 starting T-Server . . . . . 112  
 starting with run.bat . . . . . 107

## X

x-conn-debug-all  
 common log option . . . . . 151  
 x-conn-debug-api  
 common log option . . . . . 151  
 x-conn-debug-dns  
 common log option . . . . . 151  
 x-conn-debug-open  
 common log option . . . . . 149  
 x-conn-debug-security  
 common log option . . . . . 150

## Index

x-conn-debug-select	
common log option . . . . .	150
x-conn-debug-timers	
common log option . . . . .	150
x-conn-debug-write	
common log option . . . . .	150